

# VAP Automatic Plumbing Vent

## DESCRIPTION

The Cash Acme VAP automatic plumbing vent provides an economical alternative to any secondary plumbing vent users. Designed for use on kitchen sinks, washing machines, wet bars, tubs, showers, laundry trays and drinking fountains, it eliminates backvents by allowing air into the drainline while the fixture is draining.

The VAP helps prevent trap siphonage and prevents sewer gases from entering the home. It is ideal for island-type installations where installing a vent stack can create design problems.

The **Cash Acme VAP** is constructed of high grade ABS with 1-1/2" male pipe threads, the VAP features a nylon valve stem, stainless steel spring and neoprene sealing disc. Shipping weight is 3/16lb.

## FEATURES AND BENEFITS

Economical:

*Low cost secondary plumbing vent.*

Automatically sealing:

*Prevents sewer gases from entering the home.*

Construction:

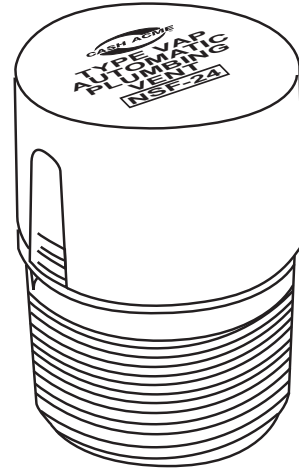
*High grade ABS body.*

Easy Installation:

*Can be installed hand-tight.*

## SPECIFICATION

When installed, the **VAP Automatic Plumbing Vent** is held closed by spring tension. It opens to allow air into the system while the fixture is draining to stop trap siphonage and promote fast fixture drainage. When flow stops, it seals automatically to prevent sewer gases from escaping.



# VAP Automatic Plumbing Vent

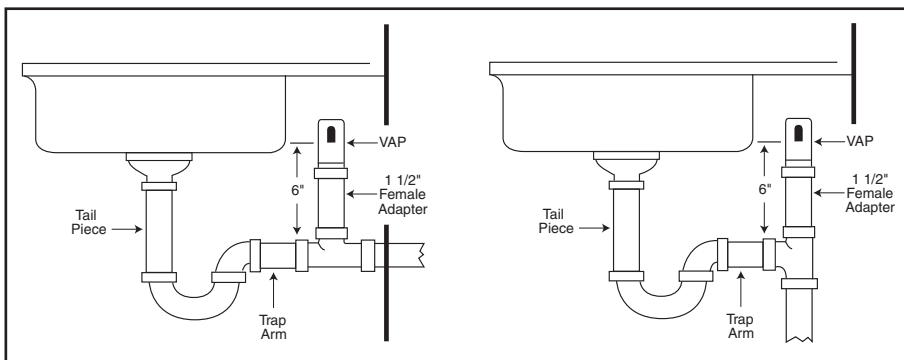
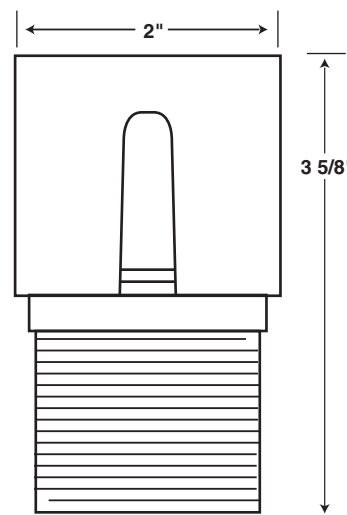
## TYPICAL INSTALLATION

The VAP must be installed in a readily accessible location – not sealed in a wall cavity – and the seal disc must be located at least 6" above the top of the trap arm. To assure proper placement, the length of pipe between the trap arm and the VAP must not be less than 4" long. The location of the VAP is in no way related to the flood level of the fixture it is venting – it operates dependably either above or below the flood level of any fixture.

Two fixtures individually protected by the VAP require a 1-1/2" common drain pipe. Three or more fixtures require a 2" drain pipe.

The VAP can be installed "hand-tight" using only a petroleum jelly to insure an airtight fit. Anything else, including pipe-thread compound, may damage the unit.

Note: The VAP is intended to be used only as a secondary vent. Any drainage system which includes a water closet must also have a main stack to vent the water closet to atmosphere.



## SPECIFICATION DATA

**Materials:**

- Body . . . . . ABS plastic
- Valve Stem . . . . . Nylon
- Spring . . . . . Stainless steel
- Seat Disc . . . . . Neoprene

## CONNECTIONS

1-1/2" Threaded (MNPT)

## CERTIFICATIONS

The Cash Acme VAP Automatic Plumbing Vent is certified NSF-24.