



CBL, CQ-M and CR Dual Control Valves

The Cash Acme CBL Deluxe Dual Control for hot water boilers is a popular solution for hot water space heating installations.

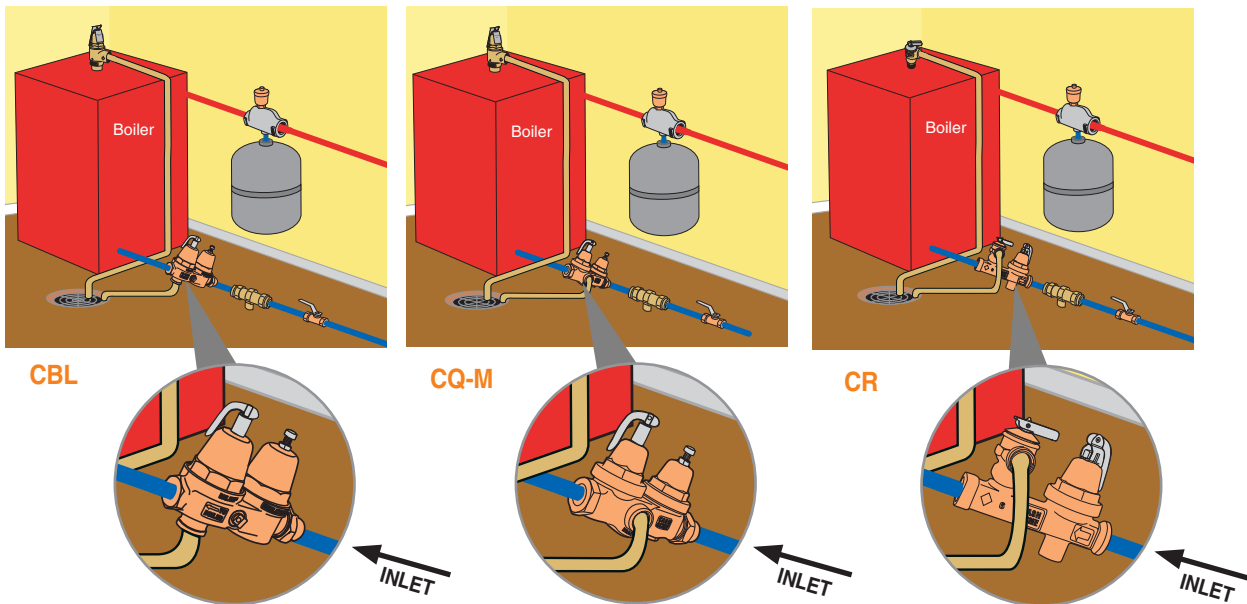
The Cash Acme CQ-M Dual Control Valve for competitive installations provides an economical asset to modern hot water space heating installations.

The Cash Acme CR Dual Control Valve for hot water space heating is designed for a variety of installations. It is suitable for one, two or three story buildings without adjustment.

- Allows rapid filling of system: *Saving hours of installation time.*
- Permits use of wide opening but small seated regulator: *Eliminates noise, prevents "wire drawing" and premature seat wear.*
- Passes first-filling dirty water around the seat: *Assuring a clean, good seating surface.*
- Poppet relief design: *Provides over-pressure protection.*
- Every valve is tested for performance prior to shipping: *Specify and install with confidence!*
- Economical and exclusive design features: *Saves time and money!*

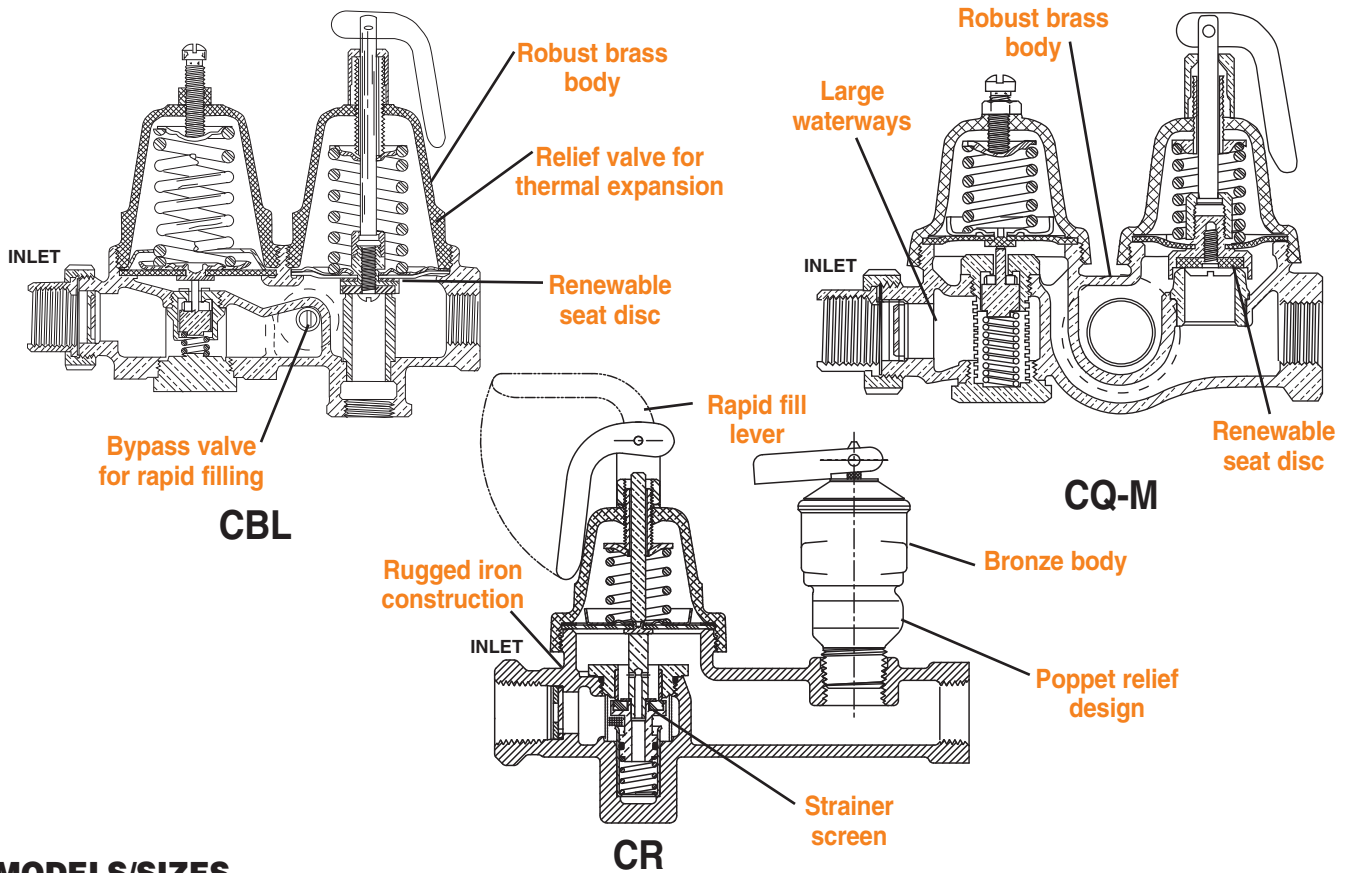


TYPICAL INSTALLATION

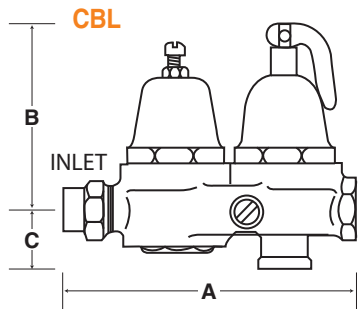




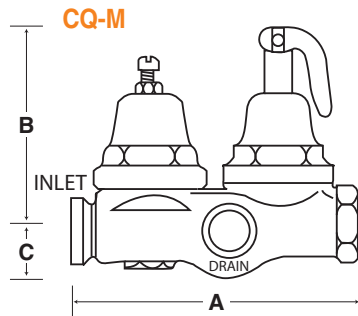
CBL, C-QM and CR Dual Control Valves



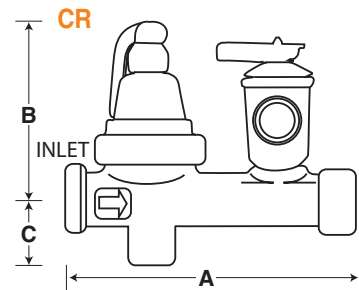
MODELS/SIZES



Dimensions	A	B	C
1/2" Threaded (NPT)	7"	4-7/8"	1-1/2"



Dimensions	A	B	C
1/2" Threaded (NPT)	6-7/16"	4-1/8"	1"



Dimensions	A	B	C
1/2" Threaded (NPT)	6-3/16"	3-25/32"	1-7/16"

CONNECTIONS

CBL

Threaded (NPT) 1/2" Inlet, Outlet

CQ-M and CR

Threaded (NPT) 1/2"

Sweat 1/2"