



## 2000 Series Ball Valves

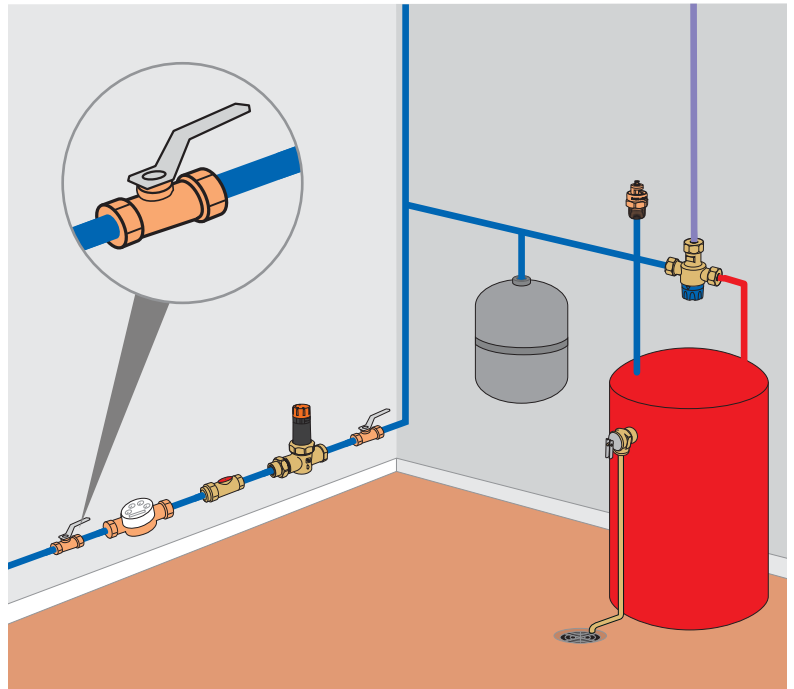
The Cash Acme 2000 Series and 2000C Series are high quality forged brass ball valves.

All Cash Acme Ball Valves include a packing nut that may be adjusted independently of the handle lock nut thereby extending the life of the packing gland.

- Convenient single lever control: *Makes them easy to use and encourages shut-off of the water supply.*
- Economical and easy to install: *Saves money and time!*

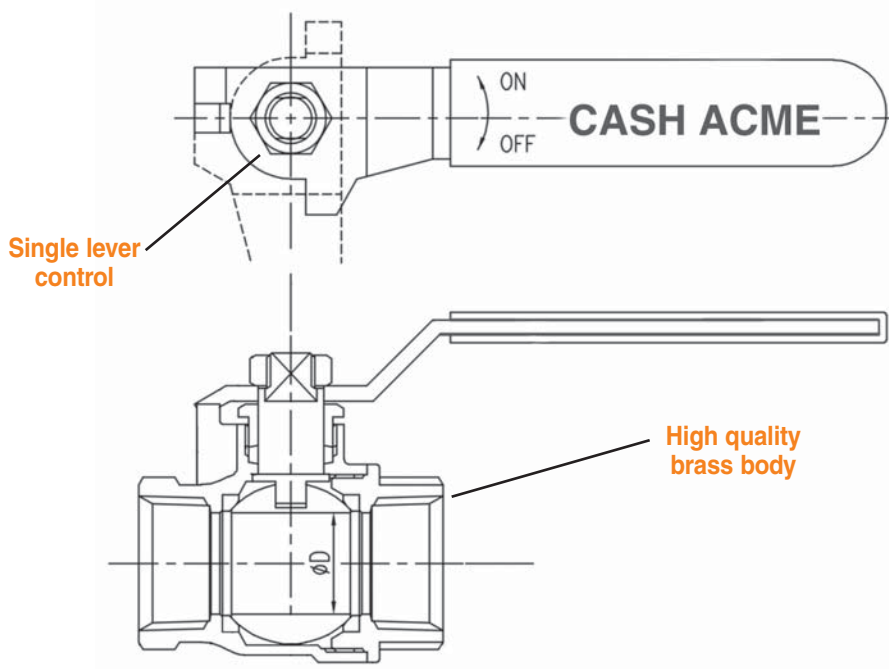


### TYPICAL INSTALLATION

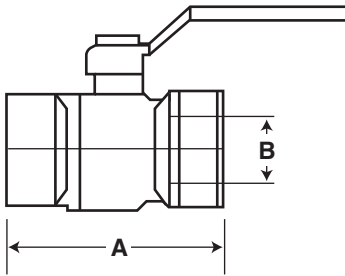




# 2000 Series Ball Valves

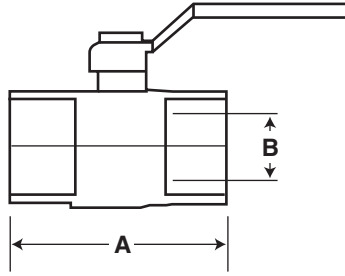


## MODELS/SIZES



THREADED (NPT) ENDS

Size	A	B
1/4"	1-13/16"	1/4"
3/8"	1-13/16"	3/8"
1/2"	2"	1/2"
3/4"	2-3/8"	3/4"
1"	3"	1"
1-1/4"	3-5/16"	1-1/4"
1-1/2"	3-5/8"	1-1/2"
2"	4-5/16"	2"



SWEAT COPPER ENDS

Size	A	B
1/2"	1-15/16"	1/2"
3/4"	5-1/2"	3-3/4"
1"	3-5/16"	1"

## CONNECTIONS

Threaded (NPT) . . . . . 1/4" through 2"  
Sweat Copper . . . . . 1/2" through 1"