

WM 1 and 2 Single Lever Washing Machine Shut-off Valves

DESCRIPTION

The Cash Acme WM-1 and WM-2 washing machine shut-off valves provide single lever control of both the hot and cold water supply to a washing machine.

Different inlet connections allow these valves to adapt to almost any installation.

The Cash Acme WM-1 is supplied with 1/2" threaded inlet adapters. The Cash Acme WM-2 is furnished with 1/2" sweat copper 90° adapters which may be installed facing either upward or downward to enable the valve to be installed on supply lines from either direction. The 90° adapters are fitted with mounting tabs to firmly secure the valve to a wall or beam.

The ball type design allows these valves to throttle the flow of water and ease the water hammer shock normally associated with solenoid valves. Both valves incorporate 3/4" inlet connections (2-3/8" on center) with 3/4" male thread outlet hose connections.

The Cash Acme WM-1 and WM-2 washing machine shut-off valves incorporate all brass construction and feature Teflon seats, brass thru-hole balls and Buna-N O-rings. A repair kit consisting of Teflon seats and all O-rings is available directly from the factory.

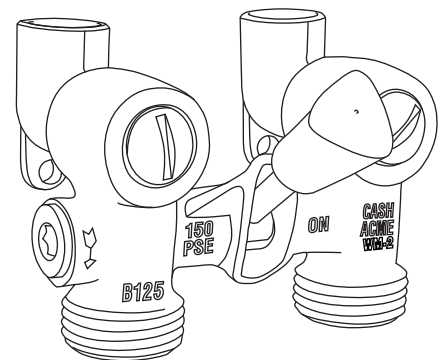
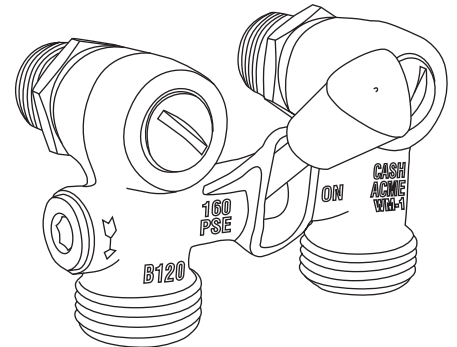
FEATURES AND BENEFITS

Convenient single lever control:

Makes them easy to use and encourages shut-off of the water supply.

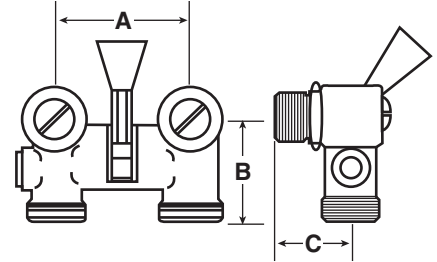
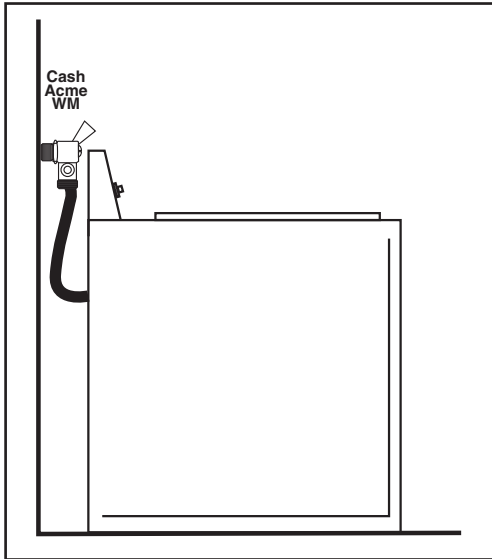
Economical and easy to install:

Saves money and time!



WM 1 and 2 Single Lever Washing Machine Shut-off Valves

TYPICAL INSTALLATION



Dimensions	A	B	C
WM-1	2-3/8"	1-7/8"	1-3/8"
WM-2			1-1/8"

SPECIFICATION DATA

Performance:

Maximum temperature 180°F
 Maximum pressure 80 psi
 Service Water

Materials:

Body Brass
 Seats Teflon
 Ball valves Brass
 O-Rings Buna-N

CONNECTIONS

Threaded (NPT) 1/2" NPT and 3/4" Hose

CERTIFICATIONS

The **Cash Acme WM1 and WM2 Washing Machine Shut-off Valves** are certified to CSA B125 and are listed by CSA.