

# Y-Strainer

## DESCRIPTION

The Cash Acme Y-Strainer utilizes a wire mesh screen to actively remove small solid particles from the flow of liquids or gases.

The Cash Acme Y-Strainer may be installed horizontally or vertically in a pipeline to protect equipment such as regulators, pumps, or meters.

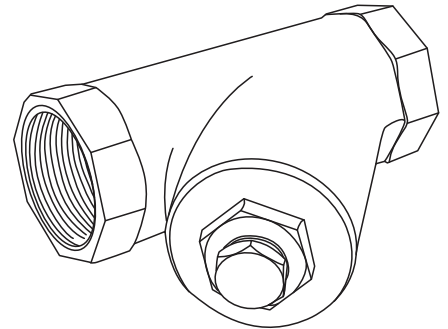
## FEATURES AND BENEFITS

Gasket composed of non-asbestos material:  
*Superior reliability, improved user safety.*

Mesh screen accessed through removable cap:  
*Allows for simple cleaning and maintenance.*

Strainer rated to 400 W.O.G.:  
*Designed to withstand high flow rates and extreme temperatures.*

High quality, robust bronze bodies are corrosion resistant:  
*Specify and install with confidence.*

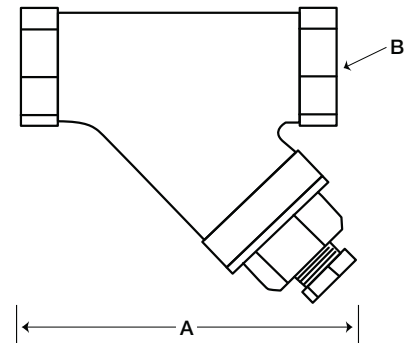
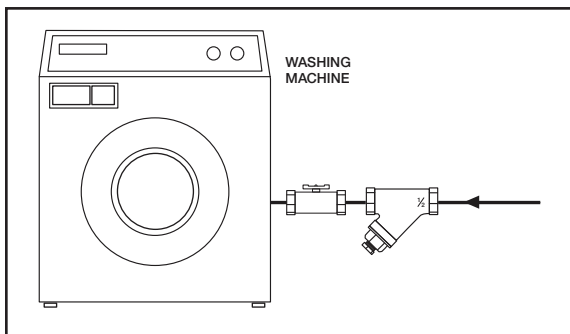


## SPECIFICATION

The Y-Strainer shall be installed in the pipeline wherever small solid particles occupy the main flow of liquids or gasses. The Y-Strainer shall be installed so that the screening element is on the lower end of the body, allowing entrapped material to collect in it. The removable cap shall be detached periodically to clean and maintain the mesh screen. The device shall be called a Cash Acme Y-Strainer.

## TYPICAL INSTALLATION

The Cash Acme Y-Strainer removes small solid particles from the flow of liquids or gases in a pipeline by means of a mesh screen.



Y-Strainer Dimensions

| Size   | A        | B      |
|--------|----------|--------|
| 1/4"   | 2-3/8"   | 1/4"   |
| 3/8"   | 2-3/8"   | 3/8"   |
| 1/2"   | 2-13/16" | 1/2"   |
| 3/4"   | 3-3/16"  | 3/4"   |
| 1"     | 3-3/4"   | 1"     |
| 1-1/4" | 4-7/16"  | 1-1/4" |
| 1-1/2" | 4-15/16" | 1-1/2" |
| 2"     | 5-15/16" | 2"     |
| 2-1/2" | 9"       | 2-1/2" |
| 3"     | 10-3/8"  | 3"     |

## SPECIFICATION DATA

Performance:  
Working pressure . . . . . 400 W.O.G.  
Service . . . . . Water, oil, & gas

Materials:  
Body, Cap, Plug . . . . . Bronze (Lead Free)  
Internal screen . . . . . Stainless steel  
Gasket . . . . . Buna - N

## CONNECTIONS

Threaded NPT Connection. . . . 1/4", 3/8", 1/2", 3/4", 1", 1-1/4", 1-1/2", 2", 2-1/2", 3"