

Y-Strainer (Cast Iron)

DESCRIPTION

The Cash Acme Y-Strainer utilizes a wire mesh screen to actively remove small solid particles from the flow of liquids or gases.

The Cash Acme Y-Strainer may be installed horizontally or vertically in a pipeline to protect equipment such as regulators, pumps, or meters.

FEATURES AND BENEFITS

Gasket composed of non-asbestos material:
Superior reliability, improved user safety.

Mesh screen accessed through removable cap:
Allows for simple cleaning and maintenance.

Fusion epoxy coated:
Corrosion resistant.

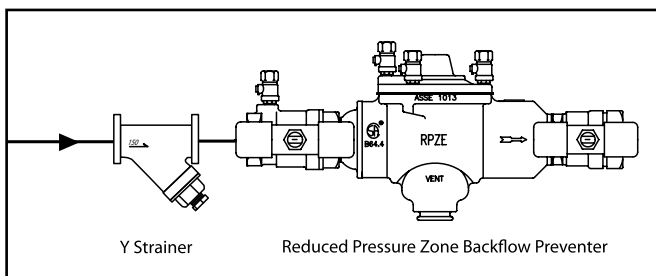
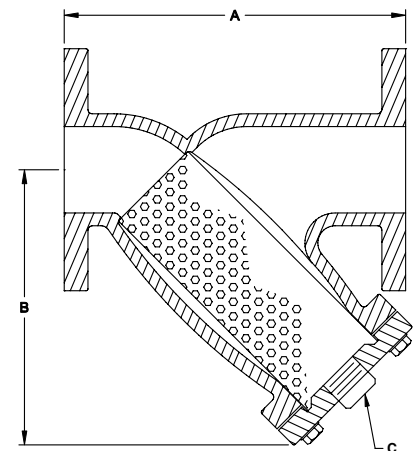
Perforated metal screen:
Protects your backflow by filtering trash, dirt, and debris.

SPECIFICATION

The Y-Strainer shall be installed in the pipeline wherever small solid particles occupy the main flow of liquids or gases. The Y-Strainer shall be installed so that the screening element is on the lower end of the body, allowing entrapped material to collect in it. The removable cap shall be detached periodically to clean and maintain the mesh screen. The device shall be called a Cash Acme Y-Strainer.

TYPICAL INSTALLATION

The Cash Acme Y-Strainer removes small solid particles from the flow of liquids or gases in a pipeline by means of a mesh screen.



Y-Strainer Dimensions

Size	A	B	C	Mesh Size Holes/Sq Inch
2-1/2"	10.75	7.25	1	225
3"	11.5	8.19	1	225
4"	13.86	9.5	1	98
6"	18.5	12.8	1.5	98
8"	21.38	15.75	1.5	29

SPECIFICATION DATA

Performance:

Working pressure 200 psi
Working pressure 125 psi Steam

Materials:

Body Cast iron
Internal screen Stainless steel
Gasket Non-asbestos fiber

CONNECTIONS

#125 Flanged Connection. . . . 2-1/2", 3", 4", 6", 8"