

# E-41 Pressure Regulating Valve

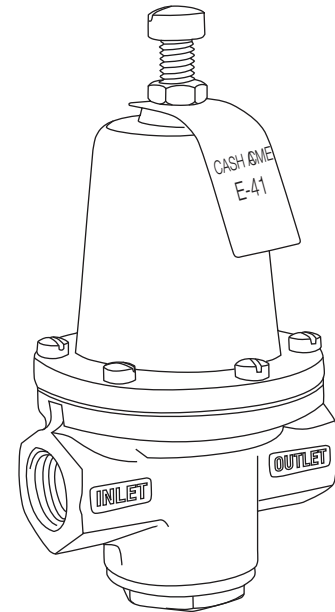
## DESCRIPTION

The Cash Acme E-41 Pressure Reducing and Regulating Valve automatically reduces a high inlet pressure to a lower delivery pressure and maintains the lower pressure within acceptable limits.

The Cash Acme E-41 Regulator provides high capacity and close regulation for more demanding and higher quality installations.

The **Cash Acme E-41 Regulator** is available in 1/2" through 2" sizes. The **E-41** is suitable for installation in domestic water supply lines (after the meter) in systems where inlet pressures do not exceed 300 psi or where system temperatures do not exceed 180°F. The valves are supplied with a standard delivery setting of 45 psi and have threaded female inlet and outlet connections.

**Cash Acme's E-41 Pressure Reducing and Regulating Valve** is similar in internal design to the **E-3** regulator with the exception that it is not fitted with an inbuilt strainer for systems which do not require the feature, or where separate, individual strainers are preferred.



## FEATURES AND BENEFITS

Automatically reduces a high inlet pressure to a lower delivery pressure:

*Maintains a lower pressure within reasonably close limits.*

Every valve is tested for performance prior to shipping:

*Specify and install with confidence!*

High capacities for higher quality installations:

*Handles more volume with just one regulator.*

Listed by ASSE:

*Inspector friendly, peace of mind!*

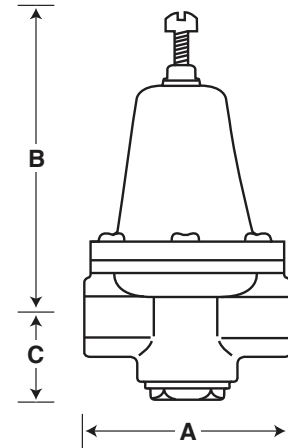
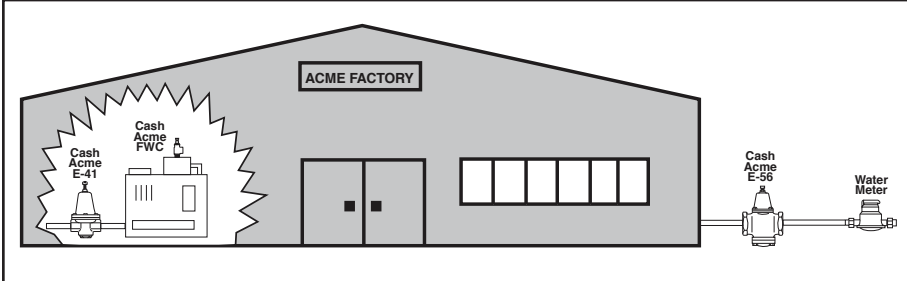
## SPECIFICATION

A pressure reducing valve shall be installed to deliver water at a controlled pressure. The valve shall be ASSE listed. The valve shall be a bronze body with a maximum inlet pressure of 300 psi. The valve shall be a yoke-type design with a buna seat disc and a stainless steel body seat. The valve shall be a **Cash Acme E-41 Pressure Regulator**.

# E-41 Pressure Regulating Valve

## TYPICAL INSTALLATION

The E-41 pressure regulator should be installed in the horizontal position with the spring chamber upright. For other installation requirements, consult the factory.



## SPECIFICATION DATA

### Performance:

- Outlet pressure range. . . . . 20-70 psi (45 psi standard)
- Maximum temperature . . . . . 180°F
- Maximum inlet pressure . . . . . 300 psi
- Service . . . . . Water

### Materials:

- Spring chamber . . . . . Aluminum
- Adjusting springs . . . . . Steel (zinc plated)
- Pressure plate . . . . . Steel (zinc plated)
- Diaphragm . . . . . EP (reinforced)
- Yoke . . . . . Brass
- Body . . . . . Bronze
- Body seat . . . . . Stainless steel
- Seat disc . . . . . Buna-N
- Piston . . . . . Brass
- Piston spring . . . . . Stainless steel

| Dimensions | A        | B        | C       |
|------------|----------|----------|---------|
| 1/2"       | 3-3/8"   | 5-1/4"   | 1-1/2"  |
| 3/4"       | 4-1/16"  | 5-15/16" | 1-7/8"  |
| 1"         | 4-9/16"  | 7"       | 2-5/16" |
| 1-1/4"     | 5-3/16"  | 8"       | 2-3/8"  |
| 1-1/2"     | 5-13/16" | 8-1/2"   | 2-5/8"  |
| 2"         | 6-1/2"   | 10-1/4"  | 2-3/4"  |

## CONNECTIONS

Threaded (NPT) . . . . . 1/2", 3/4", 1", 1-1/4", 1-1/2" and 2"

| Size   | Spring Number and Adjustment Range (in psi) |                |                 | Piston Spring |
|--------|---|----------------|-----------------|---------------|
| 1/2"   | #10364 - 10-40                              | #10364 - 20-70 | #10638 - 71-150 | #11273        |
| 3/4"   | #11285 - 10-40                              | #11320 - 20-70 | #10640 - 71-150 | #11277        |
| 1"     | #10558 - 10-40                              | #10558 - 20-70 | #10645 - 71-150 | #11278        |
| 1-1/4" | #10559 - 10-40                              | #10559 - 20-70 | #10642 - 71-150 | #11282        |
| 1-1/2" | #10641 - 10-40                              | #10641 - 20-70 | #10643 - 71-150 | #11283        |
| 2"     | #10683 - 10-40                              | #10683 - 20-70 | #10685 - 71-150 | #11284        |

## CERTIFICATIONS

The Cash Acme E-41 Pressure Regulator is certified to ASSE 1003 and is listed by ASSE .

Cash Acme E-41 Water Capacity (gpm)

| Pipe Size | P. VAR. (psi) | Differential Pressure P-P (psi) |        |        |             |
|-----------|---------------|---------------------------------|--------|--------|-------------|
|           |               | 10                              | 25     | 50     | 100 Or More |
| 1/2"      | 5             | 3                               | 4      | 40-1/2 | 50-1/2      |
|           | 10            | 6                               | 8      | 10     | 11          |
|           | 15            | 8                               | 11     | 13-1/2 | 15          |
|           | 20            | 9-1/2                           | 13     | 15-1/2 | 17          |
| 3/4"      | 5             | 4                               | 6-1/2  | 7-1/2  | 9           |
|           | 10            | 8-1/2                           | 12-1/2 | 16     | 17          |
|           | 15            | 12-1/2                          | 17-1/2 | 22     | 24          |
|           | 20            | 15-1/2                          | 21     | 26     | 28          |
| 1"        | 5             | 7                               | 10     | 11     | 12          |
|           | 10            | 15                              | 20-1/2 | 25-1/2 | 27-1/2      |
|           | 15            | 22                              | 29     | 35-1/2 | 37-1/2      |
|           | 20            | 28                              | 35     | 41-1/2 | 44-1/2      |
| 1-1/4"    | 5             | 8-1/2                           | 11     | 12     | 14          |
|           | 10            | 20                              | 27     | 33     | 36          |
|           | 15            | 30                              | 41     | 51     | 55          |
|           | 20            | 40                              | 53     | 65     | 70          |
| 1-1/2"    | 5             | 10-1/2                          | 14     | 16     | 18          |
|           | 10            | 27                              | 38     | 48     | 52          |
|           | 15            | 39                              | 55     | 70     | 76          |
|           | 20            | 50                              | 72     | 92     | 100         |
| 2"        | 5             | 16                              | 20     | 23     | 25          |
|           | 10            | 37                              | 52     | 65     | 70          |
|           | 15            | 55                              | 76     | 95     | 102         |
|           | 20            | 70                              | 97     | 120    | 130         |

\*Note 10-40 psi range requires the addition of a Piston Spring in table above.