



SoloSet® EB-25 SS Lead-Free Pressure Regulator

Cash Acme is proud to re-introduce the SoloSet®, now available in stainless steel trim. This version of the EB-25 boasts all of the features of the original, while providing the new benefit of 100% lead free materials of construction.* The new stainless steel body components fully comply with NSF-61 standards for potable water distribution. And thanks to the cartridge system design, you get the benefit of effective, noise-free pressure regulation for your potable water lines. Easy to adjust and maintain!

Reducing water pressure from high supply to lower delivery pressure is an everyday need – make quick work of the task with SoloSet® and enjoy the benefits.

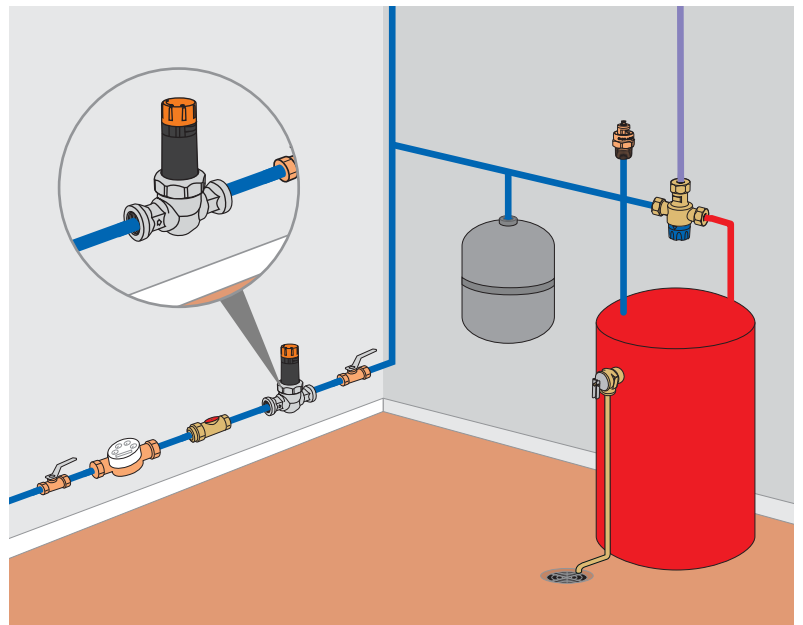
- Lead-free stainless steel materials replace leaded brasses normally used in other pressure regulators:
Provides safe pressure regulation for potable water supply.
- Convenient orange twist-cap eliminates need for wrench adjustment, numerical indicator displays the pressure without the need for a gauge: *One person can install, saving money and time!*
- Single piece cartridge can be removed with valve body remaining in place: *You can service all the parts from one place, quicker and easier!*
- Integral backpass check with the cartridge: *No add-on or small parts, longer life and more reliable performance.*
- Cutting edge design and production incorporate “micro-fingers” that dissipate noise due to water flow across the seat: *Meets the latest stringent international standards, quieter installation.*
- Available with a blanking cap for “rough-in” installations: *Use of a “dummy valve” is unnecessary.*

* Materials in direct contact with potable water do not contain lead.

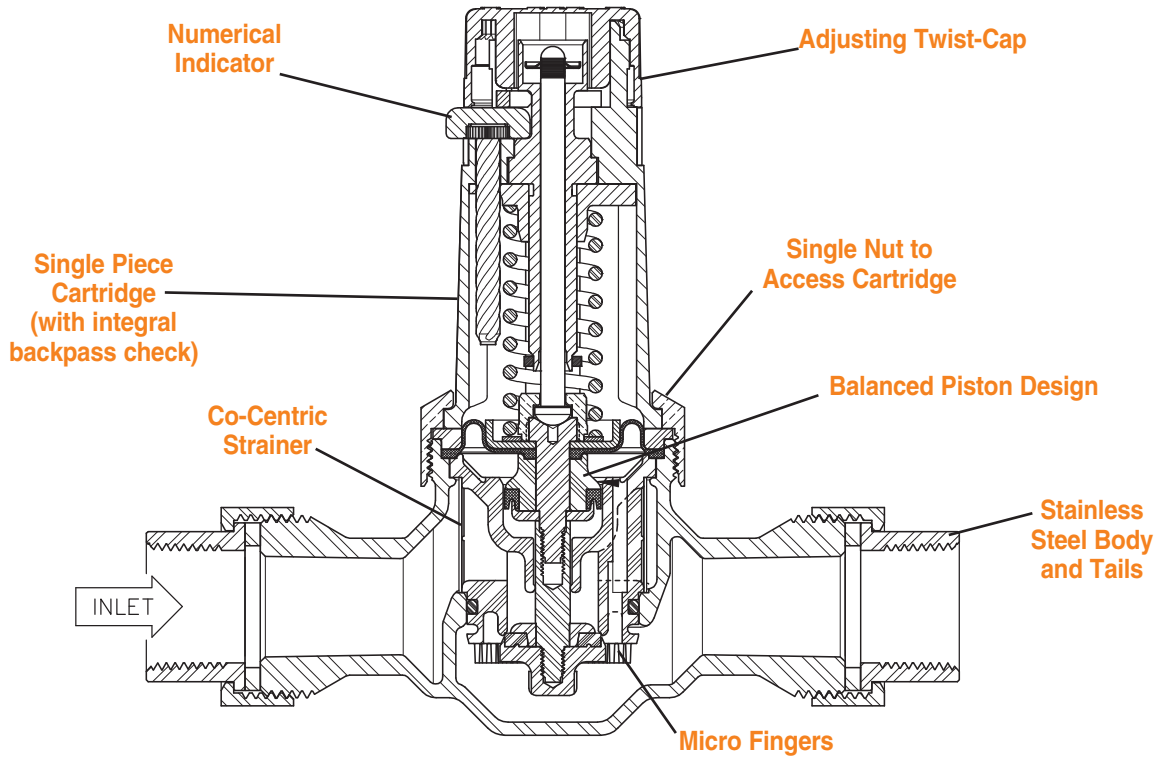


SoloSet®

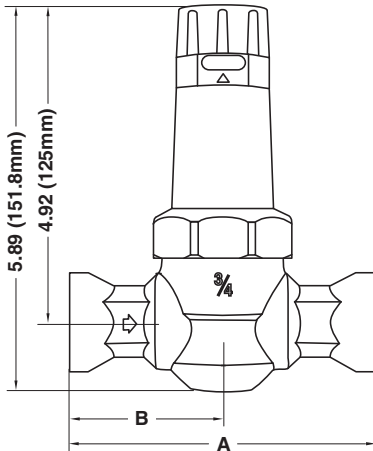
TYPICAL INSTALLATION



SoloSet® EB-25 SS Lead-Free Pressure Regulator



MODELS/SIZES



Dimensions	A (mm)	B (mm)
3/4" NPT (Both ends)	4.88 (124.0)	2.44 (62.0)
3/4" Double Union NPT	6.68 (169.6)	3.34 (84.8)
1" NPT (Both ends)	4.88 (124.0)	2.44 (62.0)
1" Double Union NPT	6.80 (172.8)	3.40 (86.4)

CONNECTIONS

Threaded (NPT) Inlet and Outlet 3/4" and 1"
Threaded (NPT) Union Inlet and Union Outlet. 3/4" and 1"

CERTIFICATIONS

Cash Acme Type EB-25 SS Pressure Regulators are certified to ASSE 1003 and CSA B356 and are listed by ASSE and IAPMO (cUPC).