

SoloSet® EB-25 SS Lead-Free Pressure Regulator

DESCRIPTION

Cash Acme is proud to re-introduce the SoloSet®, now available in stainless steel trim. This version of the EB-25 boasts all of the features of the original, while providing the new benefit of 100% lead free materials of construction.* The new stainless steel body components fully comply with NSF-61 standards for potable water distribution. And thanks to the cartridge system design, you get the benefit of effective, noise-free pressure regulation for your potable water lines. Easy to adjust and maintain!

Reducing water pressure from high supply to lower delivery pressure is an everyday need – make quick work of the task with SoloSet® and enjoy the benefits.

While pressure reduction is an everyday need – necessary to protect appliances and plumbing fixtures – advanced water control technology from Cash Acme makes it possible for SoloSet® to provide unique new benefits to this common application. The biggest breakthrough is the simple numerical indicator that allows the exact desired pressure to be set even before the valve is installed. A job that previously required two men and a tedious, imprecise adjustment screw process can now be achieved quickly and efficiently by only one worker. And once installed, patented design features mean SoloSet® offers improved reliability and easier access for maintenance.

*Materials in direct contact with potable water do not contain lead.

FEATURES AND BENEFITS

Lead-free stainless steel materials replace leaded brasses normally used in other pressure regulators:

Provides safe pressure regulation for potable water supply.

Convenient orange twist-cap eliminates need for wrench adjustment, numerical indicator shows the pressure without the need for a gauge:

One person can install, saving money and time!

Single piece cartridge can be removed with valve body remaining in place:

You can service all the parts from one place, quicker and easier!

By-pass mechanism integral with the cartridge:

No add-on or small parts, longer life and more reliable performance.

Cutting edge design and production incorporates “micro-fingers” that dissipate noise due to water flow across the seat:

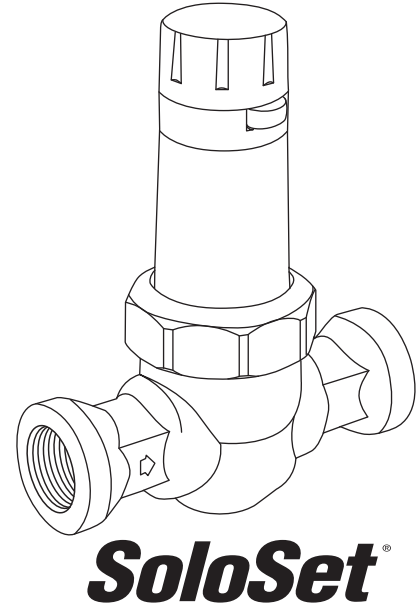
Meets the latest stringent international standards, quieter installation.

Available with a blanking cap for “rough-in” installations:

Use of a “dummy valve” is unnecessary.

SPECIFICATION

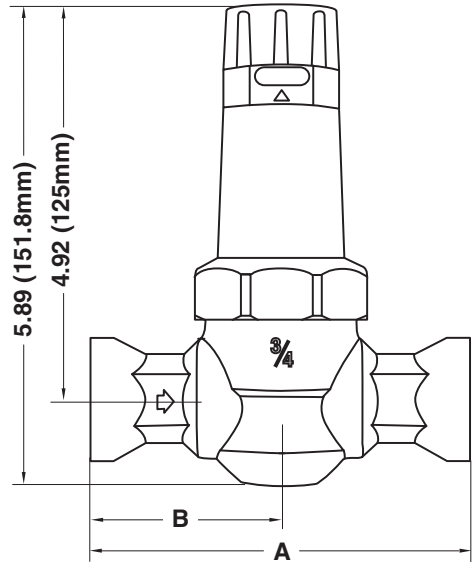
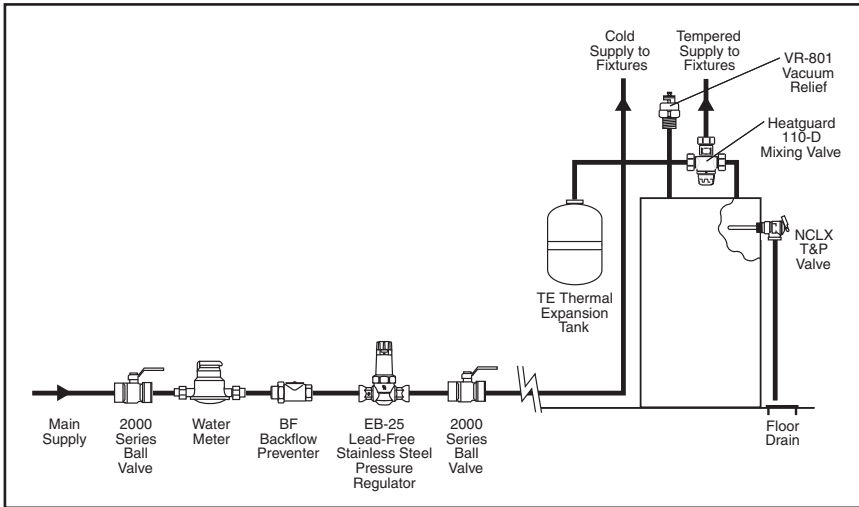
A pressure regulating valve shall be installed to reduce high supplies of incoming water pressure. The valve shall be of a single piece cartridge with a pre-set numerical indicator and micro-fingers for noise dissipation and shall be constructed from 100% lead-free materials. The valve shall be a **Cash Acme EB-25 Pressure Regulator**.



SoloSet® EB-25 SS Lead-Free Pressure Regulator

TYPICAL INSTALLATION

The Cash Acme EB-25 SS SoloSet® comes supplied with a pre-adjusted pressure set at the factory. Any adjustment to this pressure is easily accomplished by lifting the orange adjustment cap and twisting. The orange adjustment cap can be rotated counter clockwise to decrease pressure and clockwise to increase the pressure. The changes in pressure setting will be visible on the numeric indicator. All pressure adjustments can be made before or after the installation with great ease. Cash Acme is always pleased to assist with valve selection or installation requirements.



SPECIFICATION DATA

Performance:

Outlet pressure range 20 - 90 psi
 Maximum temperature 180°F
 Maximum initial pressure 300 psi
 Service Water

Dimensions	A (mm)	B (mm)
3/4" NPT (Both ends)	4.88 (124.0)	2.44 (62.0)
3/4" Double Union NPT	6.68 (169.6)	3.34 (84.8)
1" NPT (Both ends)	4.88 (124.0)	2.44 (62.0)
1" Double Union NPT	6.80 (172.8)	3.40 (86.4)

Materials:

Body Stainless Steel (Type 304)
 Spring Chamber Nylon
 Adjusting Spring Steel (zinc plated)
 Pressure Plate Steel (zinc plated)
 Diaphragm EPDM
 Body Seat Polysulphone
 Seat Disc EPDM
 Piston Stainless steel (Type 304)
 Strainer Screen Stainless steel (Type 304)

Water Capacity (gpm)

Size	P ₂ Variation (PSI)	Differential Pressure (P ₁ -P ₂) PSI			
		10	25	50	100+
3/4" & 1"	5	4.4	5.4	5.4	6.0
	10	11.9	12.3	13.0	11.5
	15	19.3	19.4	20.7	19.8
	20	24.7	26.2	26.0	26.0

CONNECTIONS

Threaded (NPT) Inlet and Outlet 3/4" and 1"
 Threaded (NPT) Union Inlet and Union Outlet 3/4" and 1"

CERTIFICATIONS

Cash Acme Type EB-25 SS Pressure Regulators are certified to ASSE 1003 and CSA B356 and are listed by ASSE and IAPMO (cUPC).