

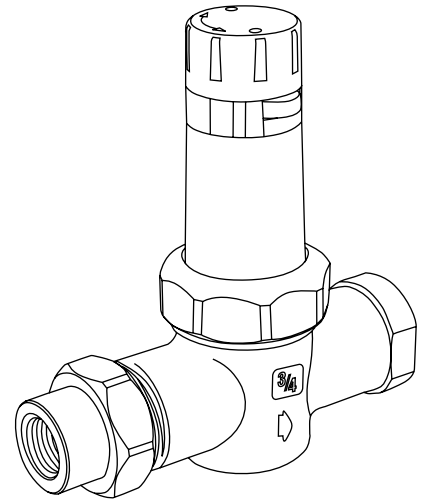
SoloSet® EB-25 Pressure Regulator

DESCRIPTION

SoloSet® EB-25 from Cash Acme brings state-of-the-art water control technology to pressure regulators.

SoloSet® has a convenient orange pressure adjustment twist-cap, and numerical indicator which makes installation a quick, one-man job. The unique design also eliminates the water whistle or hum associated with most PRVs, due to innovative “micro-fingers” that dissipate noise as water flows across the seat. And thanks to a patented single-cartridge design, SoloSet® has fewer parts for increased reliability, and it can be serviced without having to remove the valve body.

While pressure reduction is an everyday need – necessary to protect appliances and plumbing fixtures – advanced water control technology from Cash Acme makes it possible for SoloSet® to provide unique new benefits to this common application. The biggest breakthrough is the simple numerical indicator that allows the exact desired pressure to be set even before the valve is installed. A job that previously required two men and a tedious, imprecise adjustment screw process can now be achieved quickly and efficiently by only one worker. And once installed, patented design features mean SoloSet® offers improved reliability and easier access for maintenance. Lead Free* models are also available.



SoloSet®

FEATURES AND BENEFITS

Convenient orange twist-cap eliminates need for wrench adjustment, numerical indicator shows the pressure without the need for a gauge:

One person can install, saving money and time!

Single piece cartridge can be removed with valve body remaining in place:

You can service all the parts from one place, quicker and easier!

Integral backpass check with the cartridge:

No add-ons or small parts, longer life and more reliable performance.

Cutting edge design and production incorporates “micro-fingers” that dissipate noise due to water flow across the seat:

Meets the latest stringent international standards, quieter installation.

Available with a blanking cap for “rough-in” installations:

No more dummy valve necessary.

Optional closing cap for direct burial applications:

Protects the cartridge from external elements.

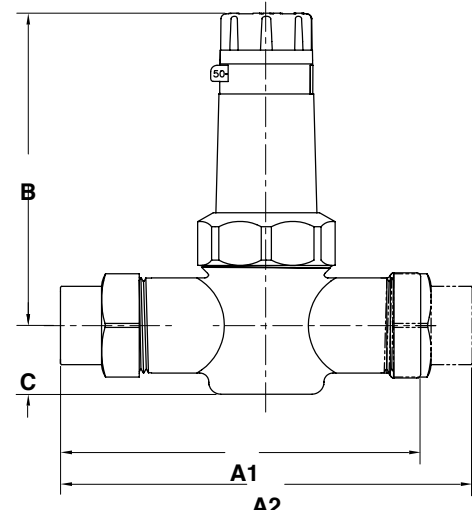
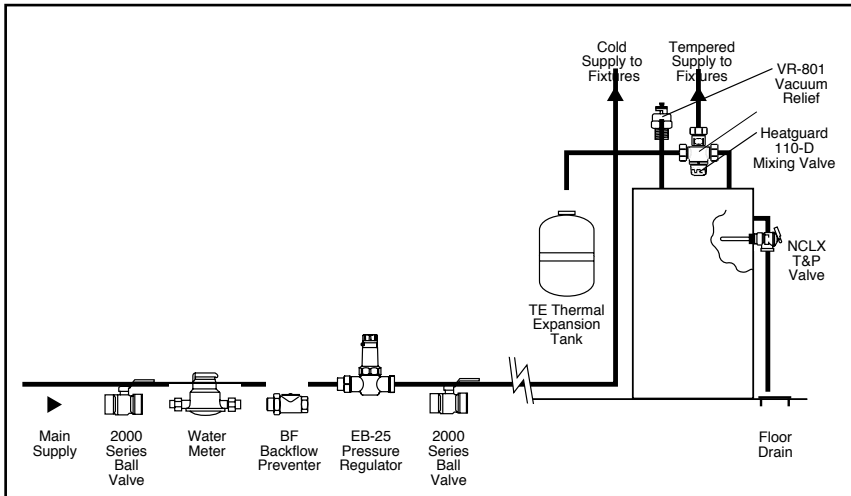
SPECIFICATION

A pressure regulating valve shall be installed to reduce high supplies of incoming water pressure. The valve shall be of a single piece cartridge with a pre-set numerical indicator and micro-fingers for noise dissipation. The valve shall be a Cash Acme EB-25 Pressure Regulator.

SoloSet® EB-25 Pressure Regulator

TYPICAL INSTALLATION

The Cash Acme EB-25 SoloSet® comes supplied with a pre-adjusted pressure set at the factory. Any adjustment to this pressure is easily accomplished by lifting the orange adjustment cap and twisting. The orange adjustment cap can be rotated counter clockwise to decrease pressure and clockwise to increase the pressure. The changes in pressure setting will be visible on the numeric indicator. All pressure adjustments can be made before or after the installation with great ease. Cash Acme is always pleased to assist with valve selection or installation requirements.



SPECIFICATION DATA

Performance:

Outlet pressure range:

EB25 8-35 or 20-90 psi

EB25-400 20 - 90 psi

Maximum temperature 180°F

Maximum inlet pressure:

EB25 300 psi

EB25-400 400 psi

Service Water

Materials:

Body Bronze

Spring Chamber Nylon

Adjusting Spring Steel (zinc plated)

Pressure Plate Steel (zinc plated)

Diaphragm EPDM

Body Seat Polysulphone

Seat Disc EPDM

Piston Stainless/brass

Strainer Screen Stainless steel

Lead Free* models are also available.

Dimensions	A1 (mm)	A2 (mm)	B (mm)	C (mm)
1/2" Union	5.67 (144)	-	4.92 (125)	1.08 (28)
3/4" Union	5.67 (144)	-	4.92 (125)	1.08 (28)
1" Union	5.74 (146)	-	4.92 (125)	1.08 (28)
1 1/4" Union	5.74 (146)	-	7.48 (190)	1.41 (36)
1 1/2" Union	5.96 (151)	-	7.48 (190)	1.57 (40)
2" Union	6.05 (154)	-	7.48 (190)	1.89 (48)
3/4" Double Union	-	6.49 (165)	4.92 (125)	1.08 (28)
1" Double Union	-	6.61 (168)	4.92 (125)	1.08 (28)
1 1/4" Double Union	-	6.55 (166)	7.48 (190)	1.41 (36)
1 1/2" Double Union	-	6.99 (178)	7.48 (190)	1.57 (40)
2" Double Union	-	7.18 (182)	7.48 (190)	1.89 (48)

Water Capacity (gpm)

Size	P _s Variation (PSI)	Differential Pressure (P _s -P _d) PSI			
		10	25	50	100+
1/2"	5	4.4	5.4	5.4	6.0
	10	11.9	12.3	13.0	11.5
3/4"	15	19.3	19.4	20.7	19.8
	20	24.7	26.2	26.0	26.0
1-1/4"	5	18.5	20.0	25.4	25.7
	10	43.2	45.5	48.6	50.4
1-1/2"	15	64.8	67.4	69.5	70.5
	20	77.7	80.3	87.8	95.2

CONNECTIONS

Threaded (NPT) Union Inlet 1/2", 3/4", 1", 1-1/4", 1-1/2" and 2"

Threaded (NPT) Union Inlet and Outlet 3/4", 1", 1-1/4", 1-1/2" and 2"

Note: Now available with high pressure (400 inlet psi) and low pressure (8-35 outlet psi) cartridges.

* For our Lead Free models, surfaces that are in contact with consumable water contain less than 0.25% lead by weight.

CERTIFICATIONS

Cash Acme Type EB-25 Pressure Regulators are certified to ASSE 1003 and CSA B356 and are listed by ASSE, CSA and IAPMO. Low pressure (8-35 psi) not certified/listed.