



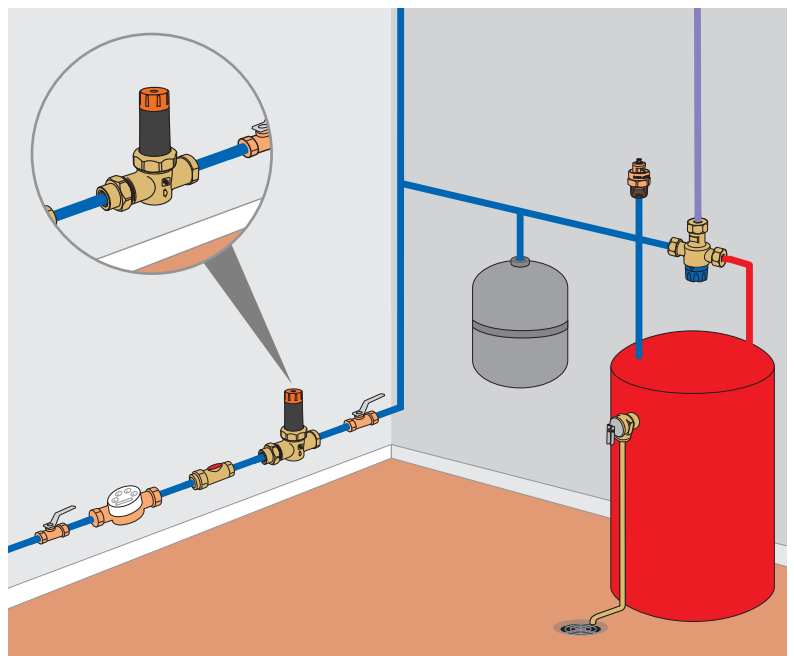
SoloSet® EB-35 Pressure Regulator

SoloSet® EB-35 from Cash Acme brings state-of-the-art water control technology to pressure regulators. The SoloSet® EB-35 has a convenient orange pressure adjustment twist-cap. The unique design also eliminates the water whistle or hum associated with most PRVs, due to innovative “micro-fingers” that dissipate noise as water flows across the seat. And thanks to a patented single-cartridge design, SoloSet® EB-35 has fewer parts for increased reliability, and it can be serviced without having to remove the valve body.

- Convenient orange twist-cap eliminates need for wrench adjustment: *Pressure adjustments are quick and easy!*
- Single piece cartridge can be removed with valve body remaining in place: *You can service all the parts from one place, quicker and easier!*
- Integral backpass check with the cartridge: *No add-on or small parts, longer life and more reliable performance.*
- Cutting edge design and production incorporates “micro-fingers” that dissipate noise due to water flow across the seat: *Meets the latest stringent international standards, quieter installation.*
- Available with a blanking cap for “rough-in” installations: *No more dummy valve necessary.*

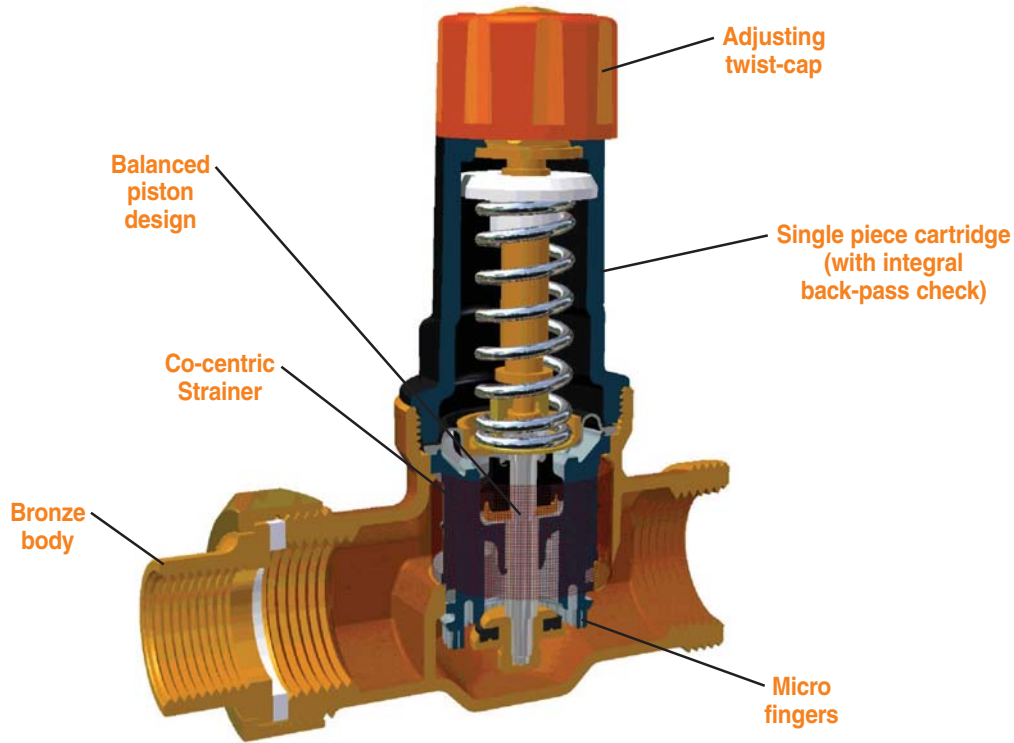


TYPICAL INSTALLATION

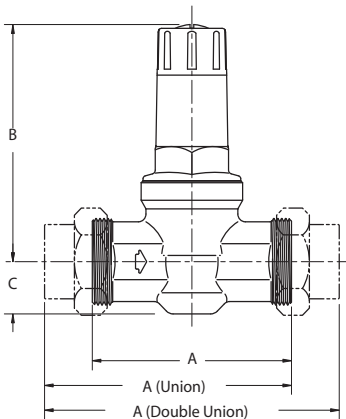




SoloSet® EB-35 Pressure Regulator



MODELS/SIZES



Valve Size	A (mm)	B (mm)	C (mm)
1/2"	3.23 (82)	3.53 (90)	0.87 (22)
3/4"	3.39 (86)		
1"	4.17 (106)	4.79 (122)	1.06 (27)
1/2" Union	3.99 (101)	3.53 (90)	0.87 (22)
3/4" Union	4.15 (105)		
1" Union	5.17 (131)	4.79 (122)	1.06 (27)
1/2" Double Union	4.76 (121)	3.53 (90)	0.87 (22)
3/4" Double Union	4.92 (125)		
1" Double Union	6.17 (157)	4.79 (122)	1.06 (27)

Size	P ₁ Variation (PSI)	Differential Pressure (P ₁ -P ₂) PSI			
		10	25	50	100+
1/2" & 3/4"	5	1.8	2.3	2.4	2.8
	10	4.8	5.3	6.0	8.9
	15	9.1	10.0	10.9	11.8
	20	14.3	15.8	16.5	16.6
1"	5	4.4	5.4	5.4	6
	10	11.9	12.3	13	11.5
	15	19.3	19.4	20.7	19.8
	20	24.7	26.2	26	26

CONNECTIONS

Threaded (NPT) 1/2", 3/4" and 1"
 Threaded (NPT) Sweat Copper Union Inlet 1/2", 3/4" and 1"
 Threaded (NPT) Sweat Union Copper or SharkBite® Connection Inlet and Outlet* 1/2", 3/4" and 1"

CERTIFICATIONS

Cash Acme Type EB-35 Pressure Regulators are certified to ASSE 1003 and are listed by ASSE, and IAPMO. Certification to CSA B356 is pending.

*For technical information on the EB-35 with SharkBite® Connection please see the EB-35DSB Spec Sheet (HC003).