

SoloSet® EB-35 Pressure Regulator

DESCRIPTION

SoloSet® EB-35 from Cash Acme brings state-of-the-art water control technology to pressure regulators.

The SoloSet® EB-35 has a convenient orange pressure adjustment twist-cap. The unique design also eliminates the water whistle or hum associated with most PRVs, due to innovative “micro-fingers” that dissipate noise as water flows across the seat. And thanks to a patented single-cartridge design, SoloSet® EB-35 has fewer parts for increased reliability, and it can be serviced without having to remove the valve body.

While pressure reduction is an everyday need – necessary to protect appliances and plumbing fixtures – advanced water control technology from Cash Acme makes it possible for SoloSet® to provide unique new benefits to this common application. Once installed, patented design features mean SoloSet® offers improved reliability and easier access for maintenance.

FEATURES AND BENEFITS

Convenient orange twist-cap eliminates need for wrench adjustment:

Pressure adjustments are quick and easy!

Single piece cartridge can be removed with valve body remaining in place:

You can service all the parts from one place, quicker and easier!

Integral backpass check with the cartridge:

No add-on or small parts, longer life and more reliable performance.

Cutting edge design and production incorporates “micro-fingers” that dissipate noise due to water flow across the seat:

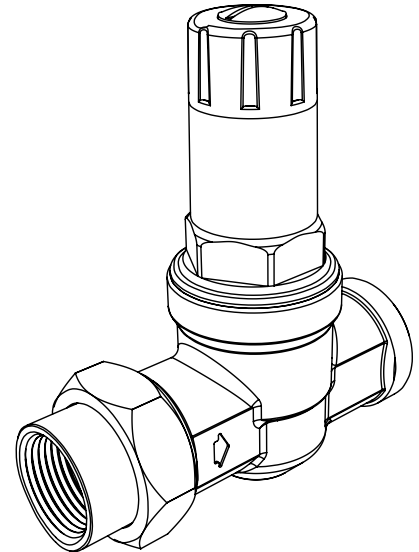
Meets the latest stringent international standards, quieter installation.

Available with a blanking cap for “rough-in” installations:

No more dummy valve necessary.

SPECIFICATION

A pressure regulating valve shall be installed to reduce high supplies of incoming water pressure. The valve shall be of a single piece cartridge with micro-fingers for noise dissipation. The valve shall be a Cash Acme EB-35 Pressure Regulator.

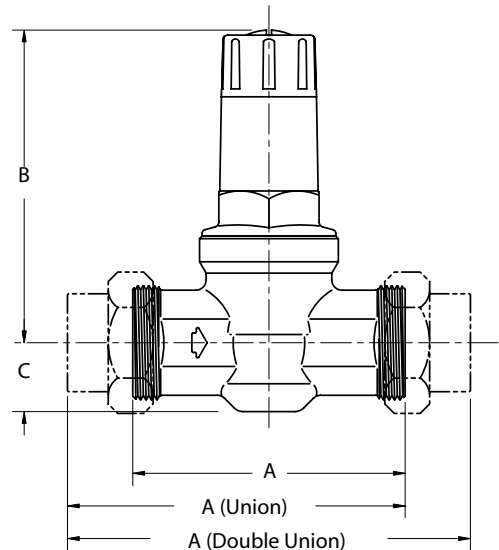
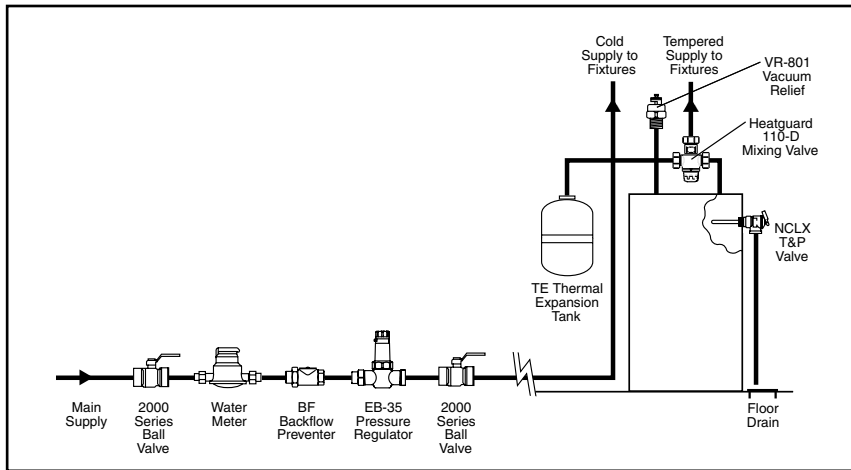


SoloSet®

SoloSet® EB-35 Pressure Regulator

TYPICAL INSTALLATION

The Cash Acme EB-35 comes supplied with a pre-adjusted pressure set at the factory. Any adjustments to this pressure is easily accomplished by lifting the orange adjustment cap and twisting. The orange adjustment cap can be rotated counter clockwise to decrease pressure and clockwise to increase pressure. All pressure adjustments can be made before or after the installation with great ease. Cash Acme is always pleased to assist with valve selection or installation requirements.



SPECIFICATION DATA

Performance:

Outlet pressure range:

- 1/2" & 3/4" 20 - 70 psi
- 1" 20 - 90 psi

Maximum temperature 180°F

Maximum initial pressure 300 psi

Service Water

Materials:

- Body Bronze
- Spring Chamber Nylon
- Adjusting Spring Steel (zinc plated)
- Pressure Plate Steel (zinc plated)
- Diaphragm EPDM
- Body Seat Polysulphone
- Seat Disc EPDM
- Piston Stainless/brass
- Strainer Screen Stainless steel

CONNECTIONS

- Threaded (NPT) 1/2", 3/4" and 1"
- Threaded (NPT) Sweat Copper Union Inlet 1/2", 3/4" and 1"
- Threaded (NPT) Sweat Union Copper or SharkBite® Connection Inlet and Outlet* 1/2", 3/4" and 1"

CERTIFICATIONS

Cash Acme Type EB-35 Pressure Regulators are certified to ASSE 1003 and are listed by ASSE, and IAPMO. Certification to CSA B356 is pending.

Valve Size	A (mm)	B (mm)	C (mm)
1/2"	3.23 (82)	3.53 (90)	0.87 (22)
3/4"	3.39 (86)		
1"	4.17 (106)	4.79 (122)	1.06 (27)
1/2" Union	3.99 (101)	3.53 (90)	0.87 (22)
3/4" Union	4.15 (105)		
1" Union	5.17 (131)		
1/2" Double Union	4.76 (121)	4.79 (122)	1.06 (27)
3/4" Double Union	4.92 (125)		
1" Double Union	6.17 (157)		

Size	P ₁ Variation (PSI)	Differential Pressure (P ₁ - P ₂) PSI			
		10	25	50	100+
1/2" & 3/4"	5	1.8	2.3	2.4	2.8
	10	4.8	5.3	6.0	8.9
	15	9.1	10.0	10.9	11.8
	20	14.3	15.8	16.5	16.6
1"	5	4.4	5.4	5.4	6
	10	11.9	12.3	13	11.5
	15	19.3	19.4	20.7	19.8
	20	24.7	26.2	26	26

*For technical information on the EB-35 with SharkBite® Connection please see the EB-35DSB Spec Sheet (HC003).