

EB-600 Double Union Domestic Water Regulator

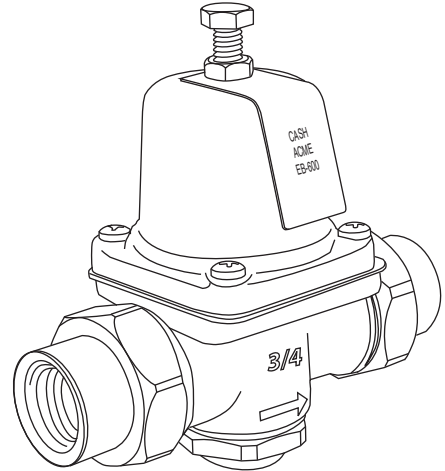
DESCRIPTION

The Cash Acme EB-600 Pressure Reducing and Regulating Valve automatically reduces a high inlet pressure to a lower delivery pressure and maintains the lower pressure within acceptable limits. It is designed for ease and versatility of installation.

The unique double union feature permits installation of the EB-600 in tight quarters and also allows for temporary installation during construction.

The Cash Acme EB-600 is intended for use where supply line inlet pressure does not exceed 300 psi. The Cash Acme EB-600 is suitable for cold or hot (to 180°F) water service. Ideally suited for domestic water service, it automatically reduces and regulates high inlet pressures down to 45 psi. Outlet pressure is fully adjustable from 10 to 70 psi without changing the pressure spring.

The Cash Acme EB-600 is available in 3/4" to 2" sizes. The pipe size and direction of flow are indicated on the body. The Cash Acme EB-600 has a bronze body and bottom plug, brass piston, stainless steel seat ring and inbuilt strainer screen.



FEATURES AND BENEFITS

Designed for ease and versatility of installation:

More efficient system performance for lower running costs.

Every valve is tested prior to shipping:

Specify and install with confidence!

Listed by IAPMO, ASSE 1003 and CSA:

Inspector friendly, peace of mind!

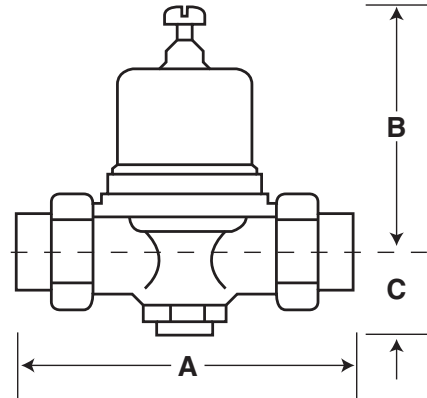
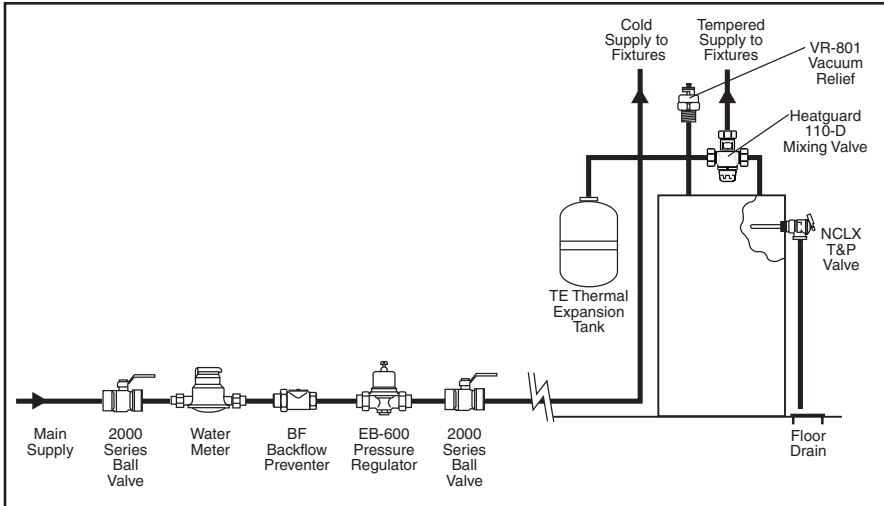
SPECIFICATION

A valve shall be installed to reduce water pressure. The valve shall have double union ends and be approved in accordance with ASSE standard 1003, CSA and IAPMO. The valve shall have a bronze body, brass and stainless steel internals, an EP diaphragm, stainless steel strainer screen and an inbuilt back-pass check. The valve shall be a Cash Acme EB-600.

EB-600 Double Union Domestic Water Regulator

TYPICAL INSTALLATION

For further installation instructions, please contact the factory.



Dimensions	A	B	C
3/4"	5-1/4"	4-1/16"	1-7/16"
1"	6-1/8"	4-1/2"	1-1/2"
1-1/4"	6-1/2"	6-7/8"	2"
1-1/2"	8-1/4"	11-1/16"	2-3/16"
2"	9-7/8"	13-1/2"	2-5/8"

SPECIFICATION DATA

Performance:

- Outlet pressure range. 10 - 70 psi
- Maximum temperature 180°F
- Maximum initial pressure 300 psi (1-1/4", 1-1/2" and 2")
- 400 psi (1/2", 3/4" and 1")
- Service Water

Materials:

- Body Bronze
- Spring Housing Iron
- Piston Brass
- Body Seat Stainless steel
- Piston Spring Stainless steel
- Strainer Screen Stainless steel
- Seat Disc EP
- O-Ring EP
- Diaphragm EP (nylon reinforced)
- Bottom Plug Bronze

CONNECTIONS (sold separately)

- Threaded 3/4", 1" and 1-1/4"
- Sweat copper unions 3/4", 1" and 1-1/4"
- Sweat copper 1-1/2" and 2"

CERTIFICATIONS

Cash Acme EB-600 Pressure Regulators are certified to ASSE 1003, and CSA B356, and are listed by ASSE, IAMPO (UPC) and CSA.

EB-600 Water Capacity (gpm)

Valve Size	P-VAR. (psi)	Differential Pressure P'-P' (psi)			
		10	25	50	100 Or More
1/2"	5	3	4	4-1/2	5-1/2
	10	6	8	10	11
	15	8	11	13-1/2	15
	20	9-1/2	13	15-1/2	17
3/4"	5	4	6-1/2	7-1/2	9
	10	8-1/2	12-1/2	16	17
	15	12-1/2	17-1/2	22	24
	20	15-1/2	21	26	28
1"	5	7	10	11	12
	10	15	20-1/2	25-1/2	27-1/2
	15	22	29	35-1/2	37-1/2
	20	28	35	41-1/2	44-1/2
1-1/4"	5	8 1/2	11	12	14
	10	20	27	33	36
	15	30	41	51	55
	20	40	53	65	70
1-1/2"	5	10-1/2	14	16	18
	10	27	38	48	52
	15	39	55	70	76
	20	50	72	92	100
2"	5	16	20	23	25
	10	37	52	65	70
	15	55	76	95	102
	20	70	97	120	130