



## EB-86U Pressure Regulators

Cash Acme's EB-86 Series is a group of compact pressure reducing and regulating valves designed for installations where small size and economy are important considerations.

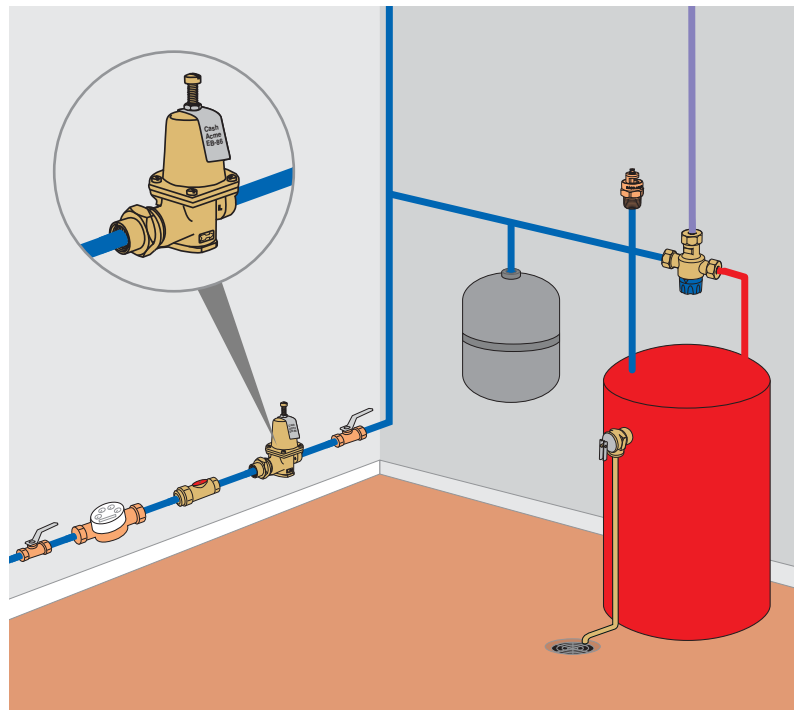
The Cash Acme EB-86U Series is intended for use where supply line pressure does not exceed 400 psi (1/2" - 1") or 300 psi (1-1/2" - 2"). This regulator series is suitable for either cold or hot (to 180° F) water service.

- Compact pressure reducing and regulating valves: *Designed for small size and economic considerations.*
- Every valve is tested for performance prior to shipping: *Specify and install with confidence!*
- Listed by IAPMO, ASSE and CSA: *Inspector friendly, peace of mind.*
- Rugged, bronze, robust body: *Superior reliability, improved user safety*

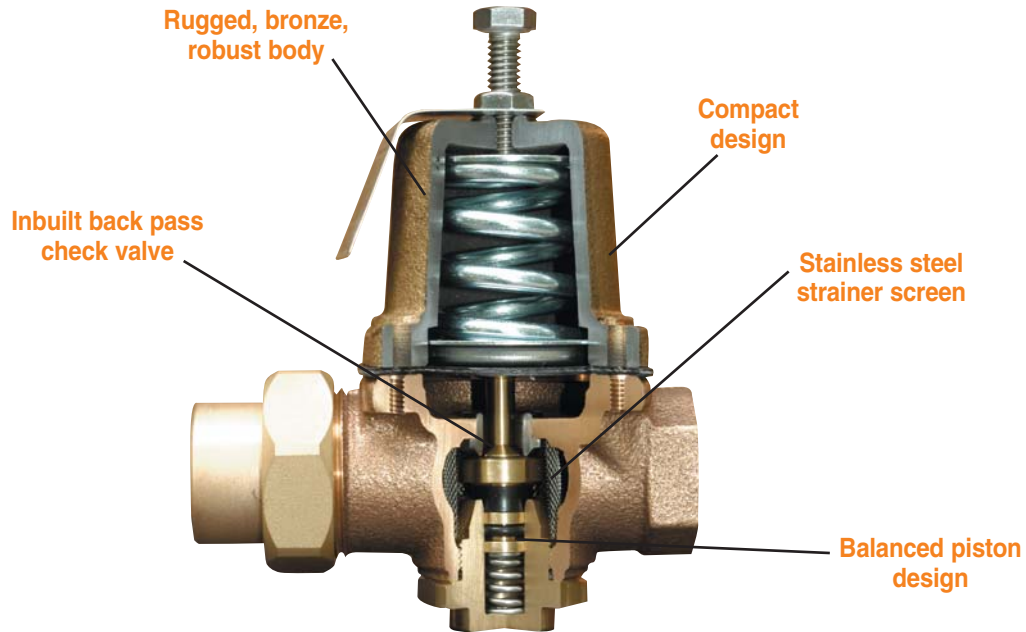


### TYPICAL INSTALLATION

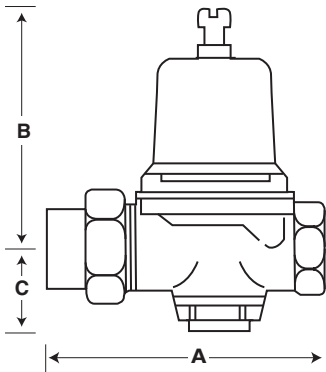
The **Cash Acme EB-86U** pressure regulators should be installed in the horizontal position with the spring chamber upright. For other installation requirements, consult the factory.



# EB-86U Pressure Regulators



## MODELS/SIZES



| Dimensions      | A       | B         | C        |
|-----------------|---------|-----------|----------|
| 1/2" Threaded   | 3-5/32" | 3-31/32"  | 1-13/32" |
| 3/4" Threaded   | 3-7/16" | 3-13/16"  | 1-9/16"  |
| 1" Threaded     | 4"      | 4-3/8"    | 1-13/32" |
| 1-1/4" Threaded |         | 6-7/8"    | 2"       |
| 1-1/2" Threaded |         | 8-1/2"    | 2-13/16" |
| 2" Threaded     |         | 10-11/16" | 2-5/8"   |

## CONNECTIONS

Threaded (NPT) . . . . . 1/2", 3/4", 1", 1-1/4", 1-1/2" and 2"

## CERTIFICATIONS

The Cash Acme EB-86 Pressure Regulator is design certified to product standards ASSE 1003 and CSA B356.  
The Cash Acme EB-86 Pressure Regulator is listed by ASSE, CSA and IAPMO.