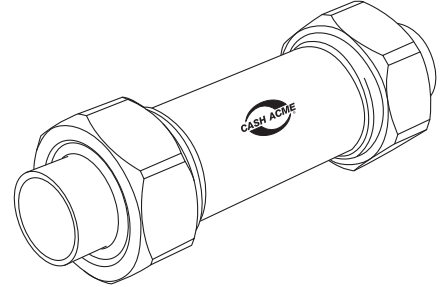


Cash Acme Test Tube Kits for EB-45 Pressure Reducing Valves

DESCRIPTION

The Cash Acme Test Tube Kits are used as a temporary bypass, prior to installing an EB-45 Cash Acme Pressure Reducing Valve. The Test Tube is used to test the system for leaks and pressure loss and flush the system of trash, dirt and debris protecting the pressure reducing valve from possible damage.



FEATURES AND BENEFITS

Lay length matches EB-45 regulator:
Permits quick installation of PRV.

Various double union end connections
Connect to CTS CPVC, copper and PEX pipe.

Built in stainless steel strainer screen
Protects PRV from trash and debris.

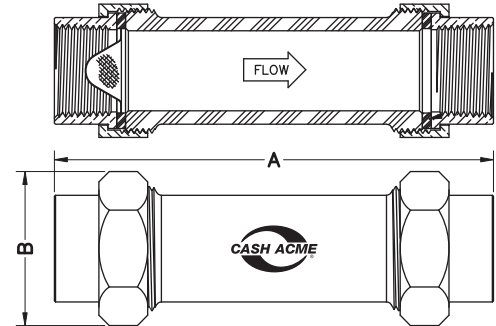
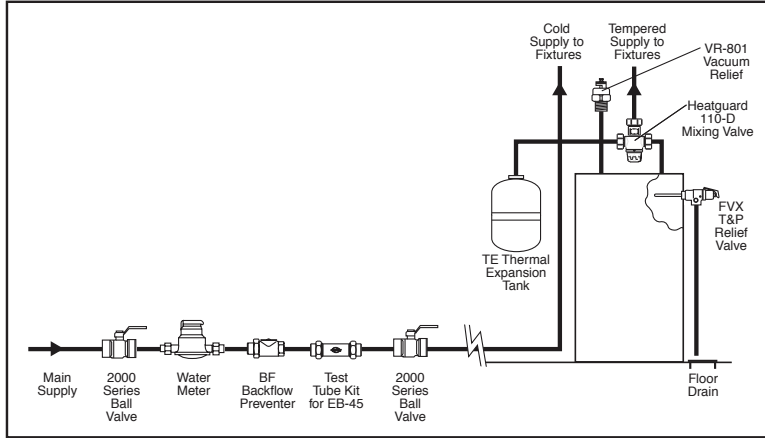
Reduces risk of theft and vandalism of PRV
No more PRV replacement cost.

SPECIFICATION

The **Cash Acme Test Tube Kits** are designed for use with EB-45 Cash Acme Pressure Reducing Valves. The Test Tube shall be installed as a temporary bypass prior to installing a Pressure Reducing Valve to flush the system of debris. Once the system is tested and flushed the **Cash Acme Test Tube** shall be removed and replaced with a Cash Acme EB-45 Pressure Reducing Valve.

Cash Acme Test Tube Kits for EB-45 Pressure Reducing Valves

TYPICAL INSTALLATION



SPECIFICATION DATA

Performance:

Maximum pressure 400 psi
 Maximum temperature (w/Tee) 180°F
 Service Potable water

Test Tube Materials:

Body CPVC
 Face Seal EPDM
 Strainer Screen Stainless steel
 Coupling Nut Brass
 Tail Piece Brass (Barb, Sweat & NPT threaded);
 DZR Brass (SharkBite); CPVC

END CONNECTION		ASSEMBLY	DIMENSIONS IN (mm)	
Size	Type	Number	A	B
3/4"	Threaded (NPT)	22930	5.23 (132.9)	1.75 (44.5)
	Seat Copper	22931	5.58 (141.6)	
	CPVC	22932	5.64 (143.2)	
	PEX (barb)	22933	5.99 (152.2)	
	SharkBite	22934	7.36 (187.0)	
1"	Threaded (NPT)	22937	6.17 (156.8)	2.17 (55.0)
	Sweat Copper	23162	6.42 (163.1)	
	PEX (Barb)	22939	6.97 (177.1)	
	CPVC	22952	6.48 (164.6)	
1-1/4"	Threaded (NPT)	22942	6.82 (173.2)	2.71 (68.7)
	Sweat Copper	22943	7.19 (182.7)	

CONNECTIONS

Available Parts:

- 22930 . . . 3/4" NPT Threaded connections
- 22931 . . . 3/4" Sweat connections
- 22932 . . . 3/4" CPVC connections
- 22933 . . . 3/4" PEX connections
- 22934 . . . 3/4" SharkBite® Lead Free connections
- 22937 . . . 1" NPT Threaded connections
- 23162 . . . 1" Lead Free* Sweat Connections
- 22939 . . . 1" PEX connections
- 22952 . . . 1" CPVC Connections
- 22942 . . . 1-1/4" NPT Threaded Connections
- 22943 . . . 1-1/4" Sweat Connections

CERTIFICATIONS

The **Cash Acme Test Tube** is not certified to any standard. It is designed to be used as a temporary by pass device to test and flush the potable water distribution system.

* For our Lead Free models, surfaces that are in contact with consumable water contain less than 0.25% lead by weight.