

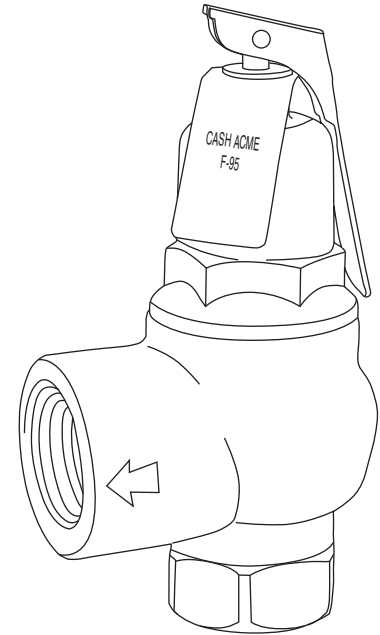
F-95 Hot Water Safety Relief Valve

DESCRIPTION

The Cash Acme F-95 Expanded Outlet Pressure Relief Valve offers a complete package of expanded boiler ASME safety relief valves in sizes ranging from 3/4" x 1" through 2" x 2-1/2".

This complete range of sizes provides pressure protection for nearly all types of commercial and industrial OEM boilers and water heating system applications.

The **Cash Acme F-95** features an iron body construction, brass seat, silicone seat disc and EP diaphragms for high temperature applications. It also incorporates a pop-type action. The **F-95 Valves** are available with relief settings from 30 to 75 psi. Sizes available include 3/4" x 1", 1" x 1-1/4", 1-1/4" x 1-1/2", 1-1/2" x 2" and 2" x 2-1/2".



FEATURES AND BENEFITS

Offers a complete package of expanded boiler safety relief valves in a range of sizes:

Provides pressure protection for nearly all commercial/industrial OEM boilers and hot water heating system applications.

Higher Capacity:

Handles more volume with just one relief valve.

Listed by ASME:

Inspector friendly, peace of mind!

Every valve is tested for performance prior to shipping:

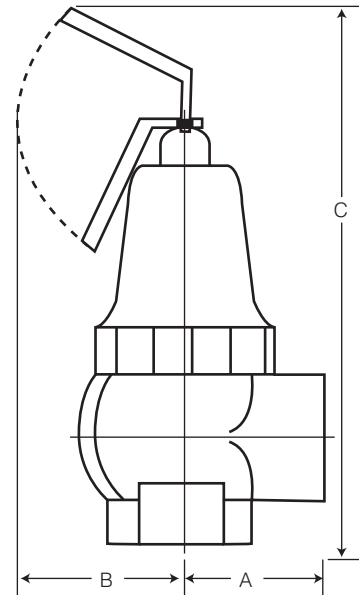
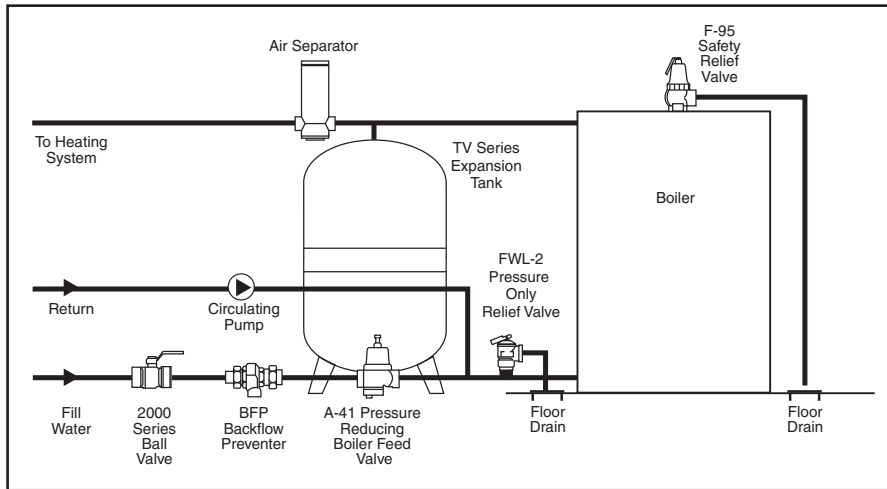
Specify and install with confidence.

SPECIFICATION

A relief valve shall be installed to relieve pressure at a pre-determined set. The valve shall have an iron-body with a female inlet and a female expanded outlet. The valve shall have a brass seat, silicone seat disc and an EP diaphragm for high temperature applications. The valve shall be ASME listed and National Board Certified. The valve shall be a **Cash Acme F-95**.

F-95 Hot Water Safety Relief Valve

TYPICAL INSTALLATION



SPECIFICATION DATA

Performance:

Set pressure range 30-75 psi
 Service Water

Materials:

Body Iron
 Seat Brass
 Seat Disc Silicone
 Spring Stainless steel

Dimensions	A	B	C
3/4" x 1"	1-13/16"	2-13/32"	5-1/2"
1" x 1-1/4"	2-1/16"	2-3/8"	6-13/32"
1-1/4" x 1-1/2"	2-3/8"	3-3/32"	9-9/16"
1-1/2" x 2"	2-5/8"	3-7/8"	10-3/32"
2" x 2-1/2"	3-7/16"	3-1/2"	12-13/16"

CONNECTIONS

Threaded (NPT) Female inlet and female outlet

CERTIFICATIONS

The Cash Acme F-95 Relief Valve is listed by ASME.

ASME RATED HOT WATER SAFETY RELIEF VALVE (BTU/HR)					
Set Pressure (psi)	3/4" x 1"	1" x 1-1/4"	1-1/4" x 1-1/2"	1-1/2" x 2"	2" x 2-1/2"
30	952,000	1,337,000	2,090,000	3,010,000	5,351,000
45	1,281,000	1,800,000	2,813,000	4,051,000	7,202,000
60	1,611,000	2,262,000	3,536,000	5,092,000	9,053,000
75	1,940,000	2,725,000	4,259,000	6,133,000	10,904,000