

# SharkBite® EB-45DSB Pressure Reducing and Regulating Valve

## DESCRIPTION

The Cash Acme SharkBite® EB-45DSB is a half-cartridge based pressure reducing and regulating valve with a bronze body. The valve resembles the traditional regulators with a spring chamber and an adjusting screw, but offers the performance of a cartridge based valve. The SharkBite® EB-45DSB is assembled using modular construction methods and features SharkBite connections in 1/2" through 1" sizes. Connect the SharkBite® pressure reducing and regulating valve to copper tubing, and CTS CPVC and PEX in seconds with ease. These valves are supplied by the factory with a standard delivery setting of 45 psi. The outlet pressure can be adjusted from 10-70 psi without changing the spring.

The EB-45 is intended for use where supply line pressure does not exceed 200 psi. This regulator is suited for either cold or hot (to 180°F) water service.

## FEATURES AND BENEFITS

Compact pressure reducing and regulating valves:  
*Designed for small and economic considerations.*

Certified by ASSE Standard 1003, Listed by IAPMO and ASSE:  
*Inspector Friendly, peace of mind.*

By-pass mechanism integral with the cartridge:  
*No add-on or small parts, longer life and more reliable performance.*

Quick and Easy service:  
*Back off pressure and remove spring chamber, pressure spring and button and replace cartridge and you have a new valve.*

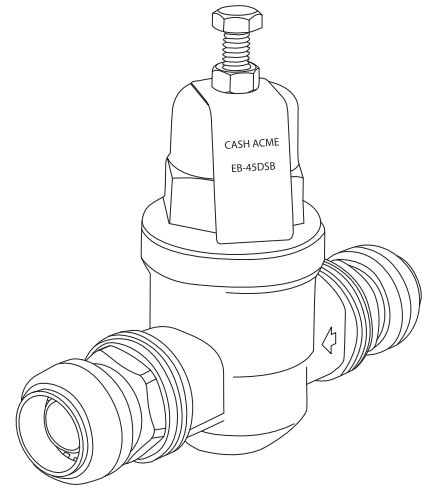
Every valve is tested for performance prior to shipping:  
*Specify and install with confidence.*

Instant push-fit connections for increase ease of use:  
*No soldering, glue or tools required to make connection.*

Rugged bronze body:  
*Superior reliability, improved user safety.*

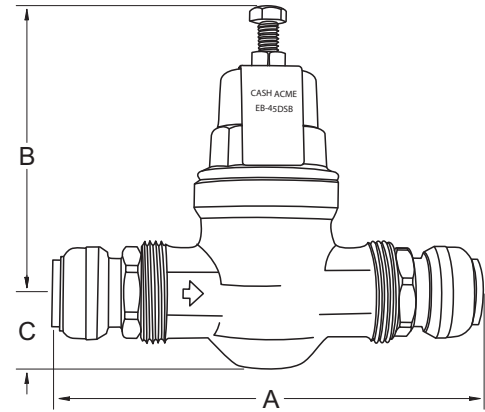
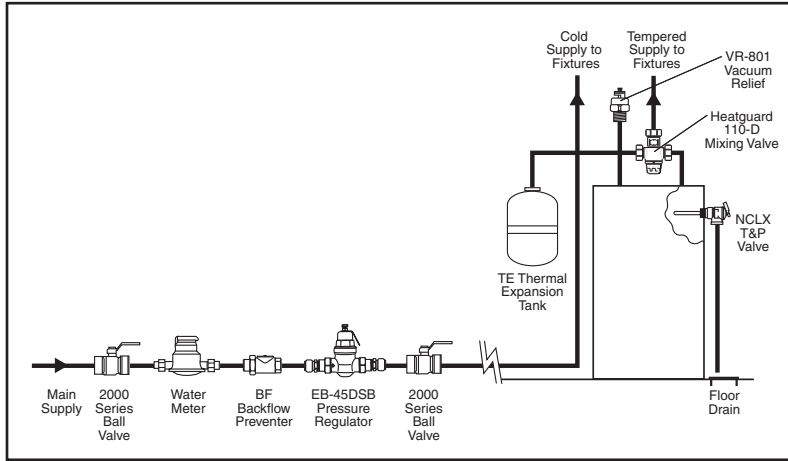
## SPECIFICATION

A pressure regulating valve shall be installed to reduce high supplies of incoming water pressure. The valve shall be approved in accordance with ASSE standard 1003 and IAPMO. The valve shall have a bronze body, brass and stainless steel internals, an EP diaphragm, stainless steel strainer screen, an inbuilt back-pass check and SharkBite® connections. The valve shall be a **Cash Acme EB-45DSB**.



# SharkBite® EB-45DSB Pressure Reducing and Regulating Valve

## TYPICAL INSTALLATION



Valve Size	A	B	C
1/2"	6.11	4.35	1.05
3/4"	6.21		
1"	6.63		

## SPECIFICATION DATA

### Performance:

- Maximum pressure . . . . . 200 psi
- Maximum temperature . . . . . 180°F (93°C) (water)
- Service . . . . . Potable Water
- Outlet pressure range . . . . . 10-70 psi

### EB-45SB Valve Materials:

- Body . . . . . Bronze
- Spring chamber . . . . . Iron
- Adjustable Spring . . . . . Steel (Zinc plated)
- Pressure Plate . . . . . Steel (Zinc plated)
- Diaphragm . . . . . EPDM
- Body Seat . . . . . Polysulphone
- Seat disc . . . . . EPDM
- Piston . . . . . Stainless/Brass
- Strainer Screen . . . . . Stainless Steel

### SharkBite® Materials:

- Body . . . . . DZR brass
- O-ring . . . . . EPDM
- Grab ring . . . . . Stainless steel
- Tube support liner . . . . . Polysulfone

### WATER CAPACITY (GPM)

PIPE SIZE	P2 (psi)	Differential Pressure P1-P2 (psi)			
		10	25	50	100+
1/2"	5	1.6	3.3	4.4	5.7
	10	8.9	11.0	12.3	12.4
	15	11.7	16.8	18.8	18.5
	20	12.8	19.2	23.5	23.9
3/4"	5	1.3	1.8	2.5	3.0
	10	8.0	12.5	13.5	15.3
	15	13.9	19.2	22.9	23.9
	20	15.7	23.1	27.4	30.3
1"	5	1.5	2.0	2.7	6.9
	10	8.7	12.8	13.6	17.5
	15	14.2	20.9	27.3	28.0
	20	17.3	25.7	30.9	42.8

## CERTIFICATIONS

The **EB-45 Pressure Reducing Valve** is certified to **ASSE 1003** and is listed by **ASSE** and **IAMPO (UPC)**. Certified to **CSA B356** pending. The **SharkBite® push-fit fittings** have been design certified and listed to **ASSE 1061/NSF 61**. The **SharkBite® push-fit fittings** are listed by **IAPMO** and are certified for potable and hydronic heating water distribution (note: Glycol mixture for hydronics is not to exceed 50% concentration). The **SharkBite® Push-fit fittings** have been certified for underground applications and as a manufactured joint without access panels and they meet **UPC, IPC** and **cUPC** requirements.