



Heatguard® 110-DLF Series

The Heatguard® 110-D LF is a Temperature Actuated Mixing Valve that mixes hot water with cold to deliver tempered water at a controlled temperature to 120°F (49°C) maximum and is designed to assist in the prevention of scalding.

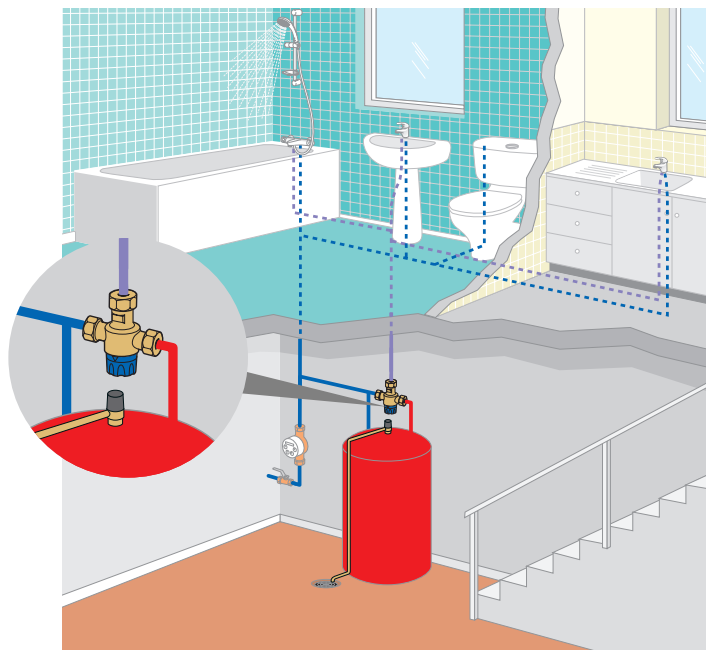
The Heatguard 110-D LF is intended for installation at the water heater to distribute controlled temperature water through a domestic hot water system.

- **Certified for distribution and point-of-use applications:** *Safer hot water from all outlets.*
- **Allows the heater to be set at 140°F (60°C) or higher:** *Greater effective hot water volume yields less chance of legionella within the cylinder.*
- **Every valve is tested for performance prior to shipping:** *Specify and install with confidence!*
- **Robust, low complexity construction:** *Superior reliability, improved user safety.*
- **Unique, purpose designed adjuster tool:** *Minimizes unauthorized tampering with valve setting.*
- **Listed by IAPMO and ASSE:** *Inspector friendly, peace of mind!*



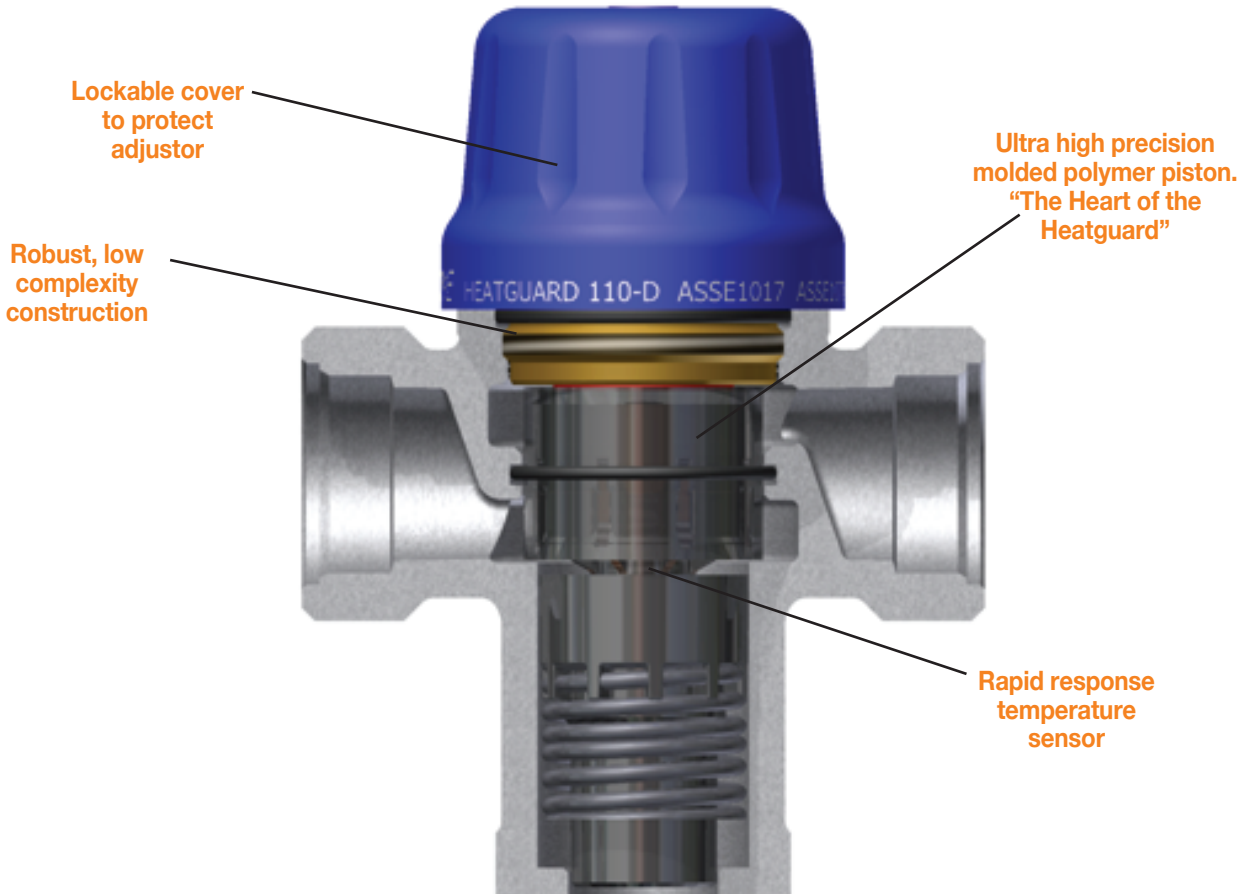
TYPICAL INSTALLATION

To control water temperature at the source of heat (hot water tank) to provide a safe distribution temperature.

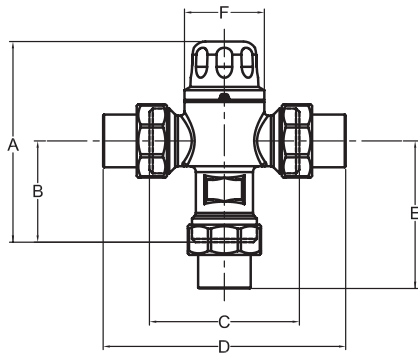




Heatguard® 110-DLF Series



MODELS/SIZES



Dimensions	A	B	C	D	E	F
Base Valve	4.1 (103)	2.1 (52)	3.0 (76)	*	*	1.6 (41)
1/2" Sweat	4.1 (103)	2.1 (52)	3.0 (76)	4.4 (112)	2.6 (66)	1.6 (41)
3/4" Sweat	4.1 (103)	2.1 (52)	3.0 (76)	4.9 (124)	3.0 (76)	1.6 (41)
1" Sweat	4.1 (103)	2.1 (52)	3.0 (76)	7.2 (184)	4.2 (106)	1.6 (41)

CONNECTIONS (sold separately)

- Sweat 1/2", 3/4" and 1"
- Sweat w/ check 1/2" and 3/4"
- Barb 1/2", 3/4" and 1"
- Barb w/ check 1/2", 3/4" and 1"
- Threaded (NPT) 1/2" and 3/4"
- Threaded (NPT) w/ check 1/2" and 3/4"
- CPVC 1/2" and 3/4"
- CPVC w/ check 1/2" and 3/4"
- SharkBite® Connection 1/2" and 3/4"
- SharkBite® Connection w/ check 1/2" and 3/4"

* Available in Lead Free

CERTIFICATIONS

The Cash Acme Heatguard® 110-D LF is certified to ASSE 1017, ASSE 1070 and CSA B125.3. The Cash Acme Heatguard® 110-D LF is listed by ASSE and IAPMO for use in accordance to all U.S. & Canadian plumbing codes.

