



## Heatguard® 110-HX Series

The Heatguard® 110-HX is a Temperature Actuated Mixing Valve that mixes hot water with cold to deliver hot water at a reduced temperature.

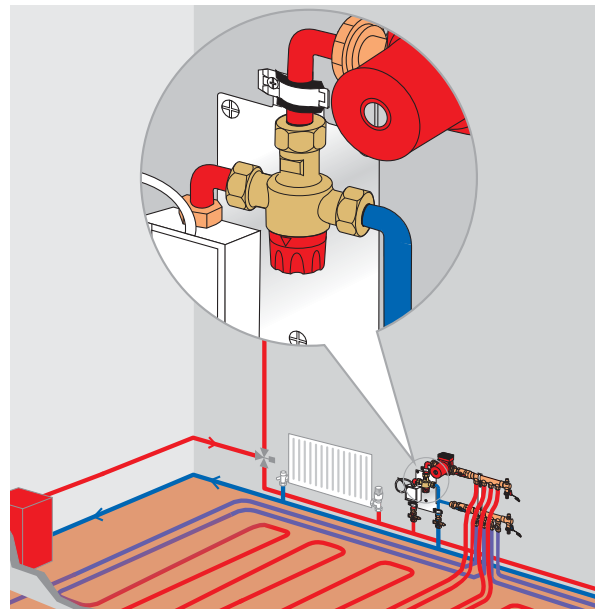
The Heatguard® 110-HX has an outlet temperature range extending to 176° F (80° C), making it ideal for application in heating systems or in any installation requiring the delivery of reduced temperature hot water.

- High flow rate design for lower pressure losses within the system: *More efficient system performance for lower running costs.*
- Every valve is tested prior to shipping: *Specify and install with confidence!*
- Robust, low complexity construction: *Superior reliability, improved user safety.*
- Integral union connections on all three ports: *Easy and quick to install and service.*
- Adjustable and lockable handle: *Minimizes unauthorized tampering with valve setting.*
- Listed by IAPMO and ASSE: *Inspector friendly, peace of mind!*



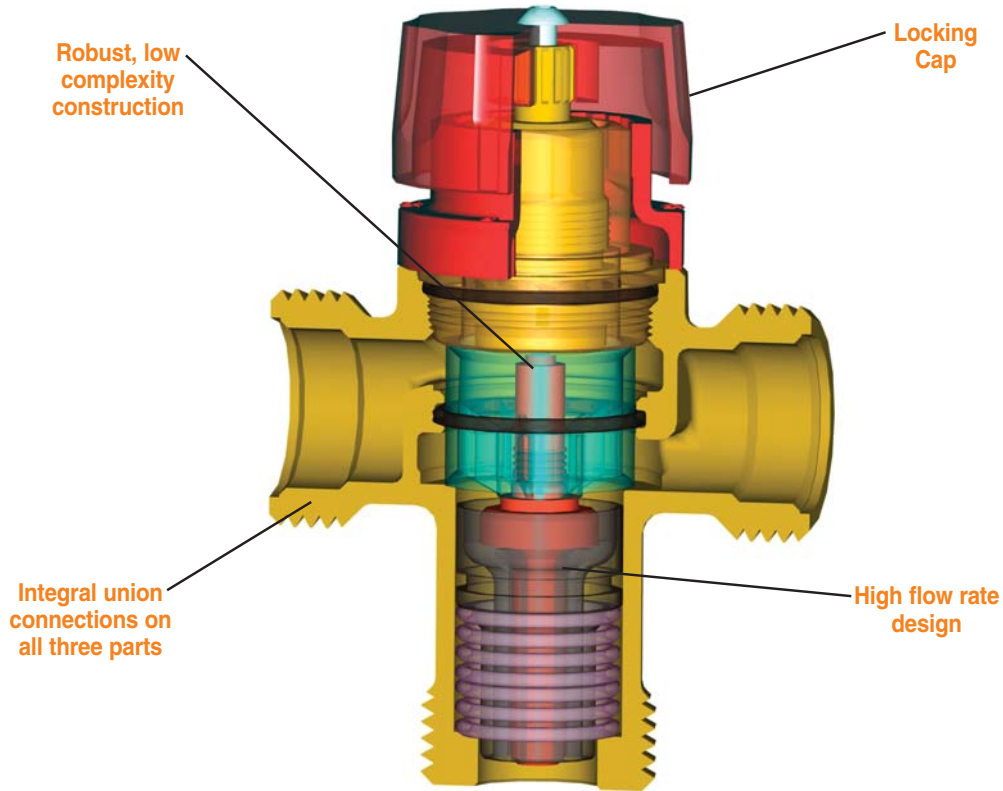
### TYPICAL INSTALLATION

The Heatguard® 110-HX is a high performance Temperature Actuating Mixing Valve for use in heating systems.

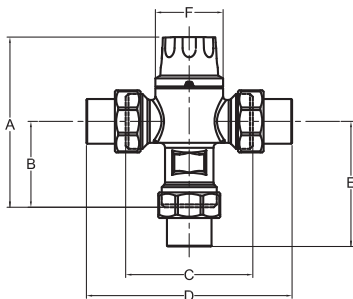




# Heatguard® 110-HX Series



## MODELS/SIZES



Dimensions	A	B	C	D	E	F
Base Valve	4.1 (103)	2.1 (52)	3.0 (76)	*	*	1.6 (41)
1/2" Sweat	4.1 (103)	2.1 (52)	3.0 (76)	4.4 (112)	2.6 (66)	1.6 (41)
3/4" Sweat	4.1 (103)	2.1 (52)	3.0 (76)	4.9 (124)	3.0 (76)	1.6 (41)
1" Sweat	4.1 (103)	2.1 (52)	3.0 (76)	7.2 (184)	4.2 (106)	1.6 (41)

\* Please Refer to Fittings Kits Spec. Sheet (CC001) for Dimensions.

## CONNECTIONS (sold separately)

- Sweat . . . . . 1/2", 3/4" and 1"
- Sweat w/ check . . . . . 1/2" and 3/4"
- Barb . . . . . 1/2", 3/4" and 1"
- Barb w/ Check . . . . . 1/2", 3/4" and 1"
- Compression . . . . . 1/4" ID (3/8" OD), 1/2" ID (5/8" OD),  
. . . . . 3/4" ID (7/8" OD)
- Comp. w/ check . . . . . 1/4" ID (3/8" OD), 1/2" ID (5/8" OD),  
. . . . . 3/4" ID (7/8" OD)
- Threaded (NPT) . . . . . 1/2" and 3/4"
- Threaded (NPT) with check . . . . . 1/2" and 3/4"
- CPVC . . . . . 1/2" and 3/4"
- CPVC w/ Check . . . . . 1/2" and 3/4"

## CERTIFICATIONS

The Cash Acme Heatguard® 110-HX is certified to ASSE 1017 and CSA B125.3.  
The Cash Acme Heatguard® 110-HX is listed by ASSE and IAPMO.

