



Heatguard® 115-D Series

The Heatguard® 115-D is a large sized high flow rate Temperature Actuated Mixing Valve that mixes hot water with cold to deliver tempered water.

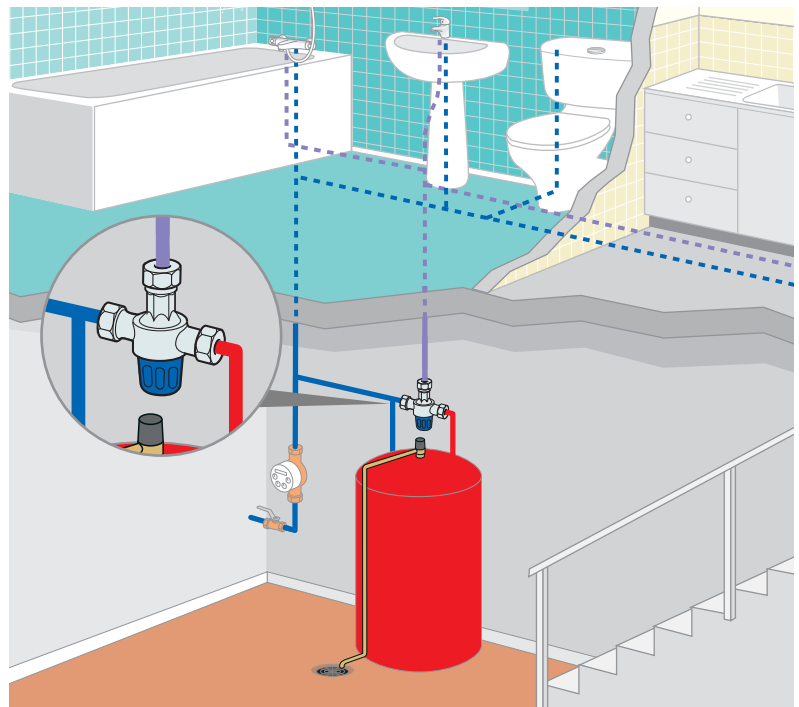
The valve delivers water at a maximum of 120°F, allowing the heater to be set at 140°F or higher, thus providing a greater effective volume of hot water and reducing the chances of legionellae bacteria growth in the water.

- Delivers water at a maximum of 120°F throughout the system: *Safer hot water from all outlets.*
- Large sized valve with high flow rates: *Single valve can supply controlled water to a large installation.*
- Robust, low complexity construction: *Superior reliability, improved user safety.*
- Integral union connections on all three ports: *Easy and quick to install and service.*
- Listed by IAPMO and ASSE: *Inspector friendly, peace of mind!*



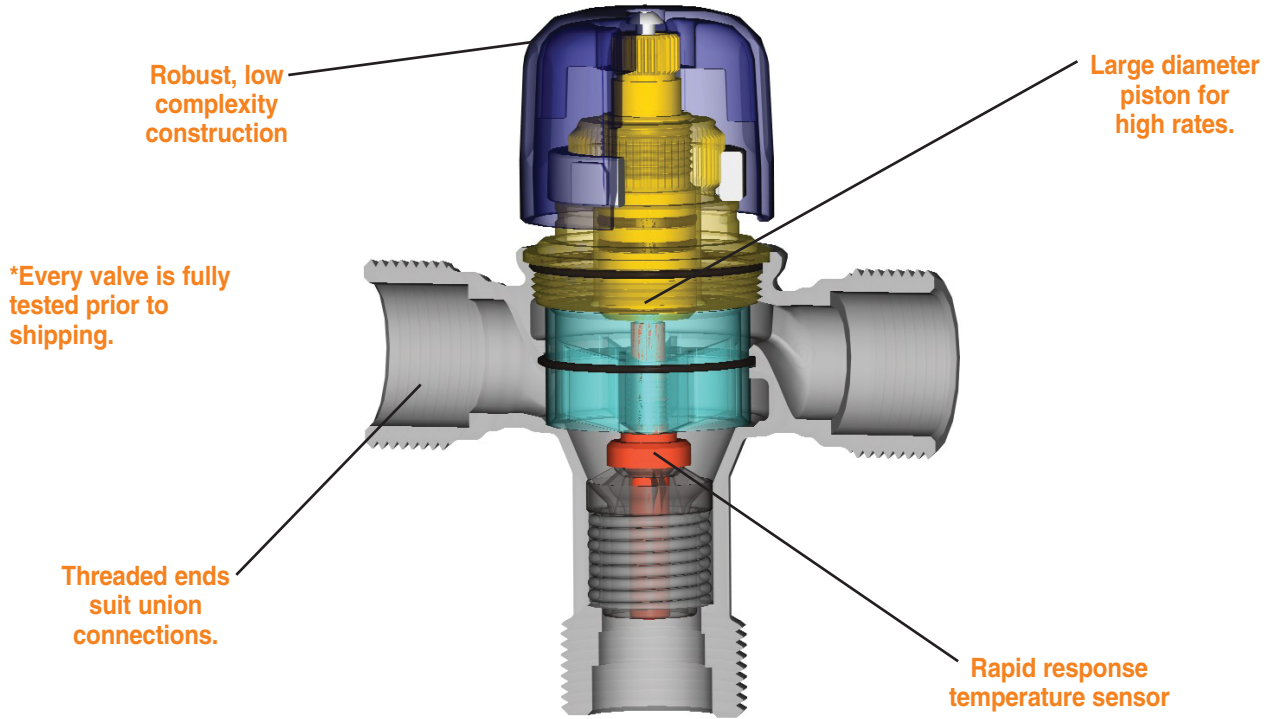
TYPICAL INSTALLATION

To control water temperature at the source of heat (hot water tank) to provide a safe distribution temperature.

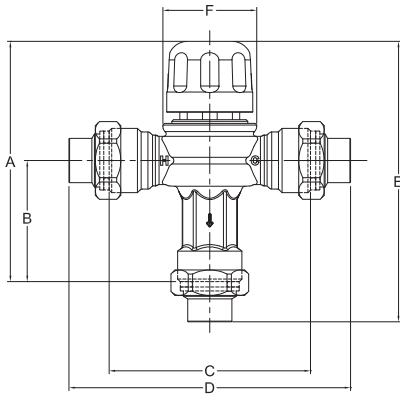




Heatguard® 115-D Series



MODELS/SIZES



- Sweat 3/4" and 1"
- Sweat w/ check 3/4" and 1"
- Threaded (NPT) 3/4" and 1"
- Threaded (NPT) w/ check 3/4" and 1"
- CPVC 3/4" and 1"
- CPVC w/ Check 3/4" and 1"

Dimensions	A	B	C	D	E	F
Base Valve	5.5 (138)	2.8 (72)	4.7 (119)	*	*	2.2 (56)
3/4" Sweat	5.5 (138)	2.8 (72)	4.7 (119)	6.6 (167)	6.5 (166)	2.2 (56)
1" Sweat	5.5 (138)	2.8 (72)	4.7 (119)	7.4 (189)	7.0 (177)	2.2 (56)
3/4" Threaded	5.5 (138)	2.8 (72)	4.7 (119)	6.6 (167)	6.5 (166)	2.2 (56)
1" Threaded	5.5 (138)	2.8 (72)	4.7 (119)	8.1 (205)	7.3 (185)	2.2 (56)
3/4" CPVC	5.5 (138)	2.8 (72)	4.7 (119)	6.7 (169)	6.6 (167)	2.2 (56)

CERTIFICATIONS

The Cash Acme Heatguard® 115-D is certified to ASSE 1017 and CSA B125.3.
The Cash Acme Heatguard® 115-D is listed by ASSE and IAPMO.