



## Heatguard® 115-H Series

The Heatguard® 115-H is a large sized high flow rate Temperature Actuated Mixing Valve that mixes hot water with cold to deliver hot water at a reduced temperature.

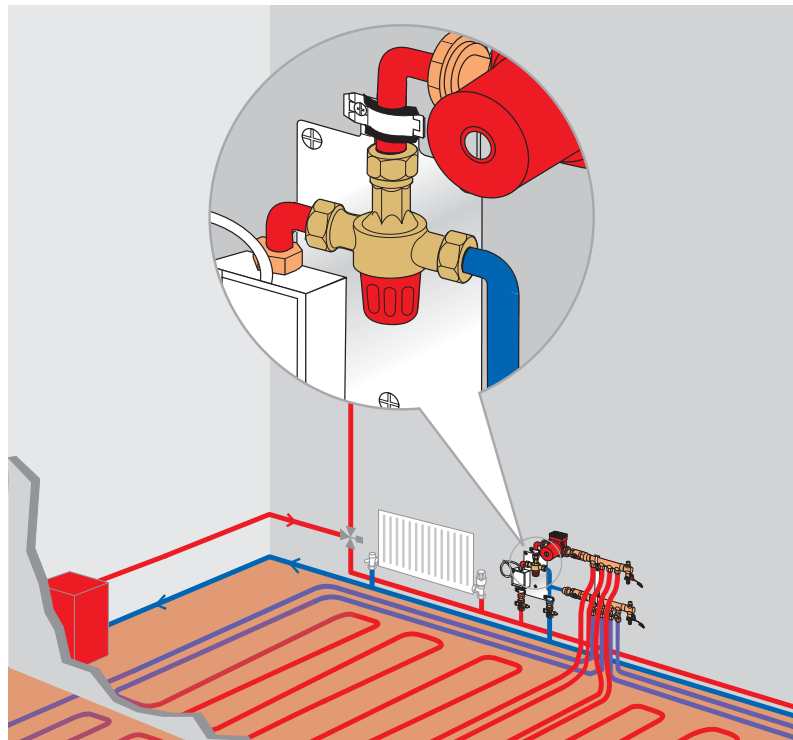
The Heatguard® 115-H has an outlet temperature range extending to 140°F and a flow rate of 30 gpm at 45 psi, making it ideal for application in large heating systems. It also has application in any installation requiring the delivery of reduced temperature hot water.

- Large sized valve with high flow rates:  
*Control larger systems with a single valve.*
- Every valve is tested prior to shipping:  
*Specify and install with confidence!*
- Robust, low complexity construction:  
*Superior reliability, improved user safety.*
- Integral union connections on all three ports:  
*Easy and quick to install and service.*

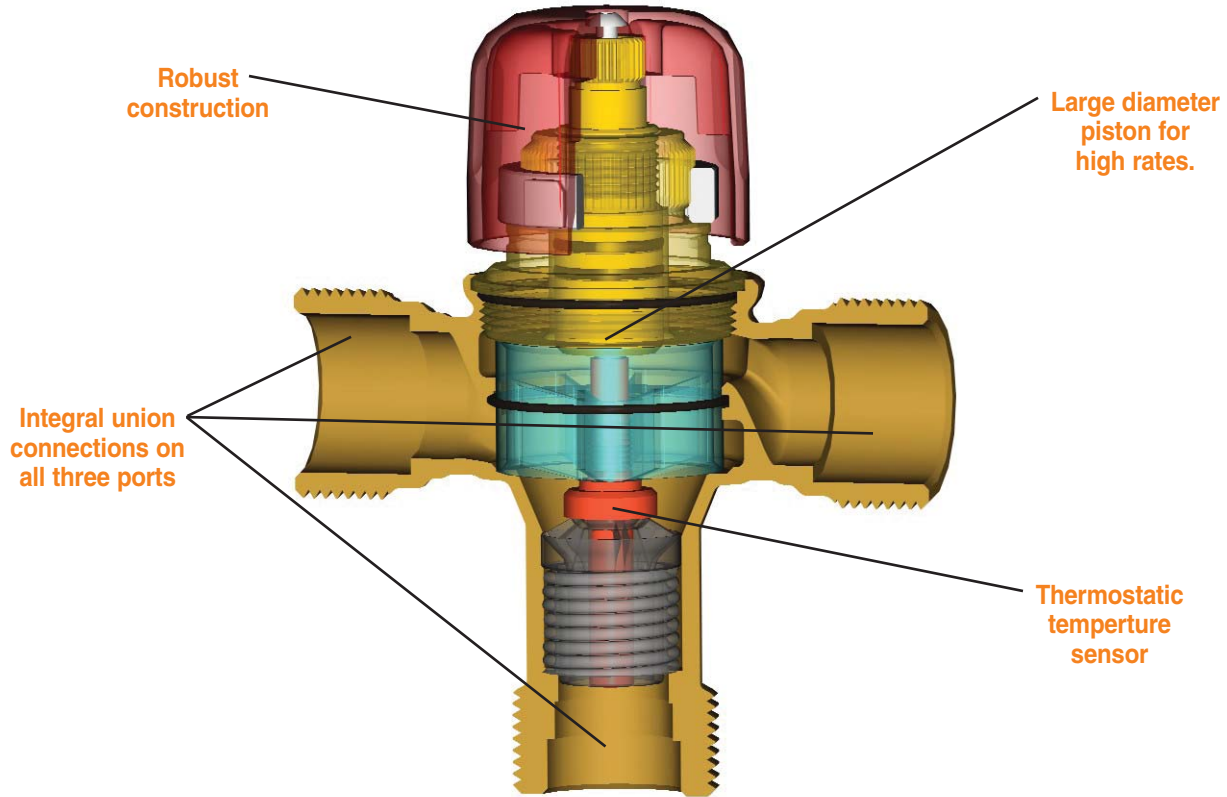


### TYPICAL INSTALLATION

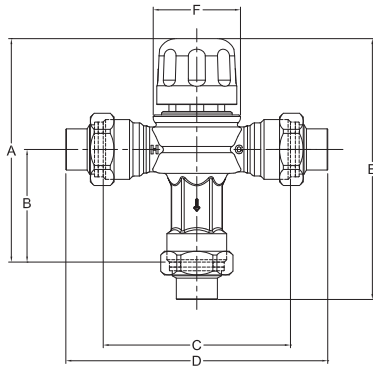
To control water temperature at the source of heat (hot water tank) to provide a safe distribution of temperature.



# Heatguard® 115-H Series



## MODELS/SIZES



Dimensions	A	B	C	D	E	F
Base Valve	5.5 (138)	2.8 (72)	4.7 (119)	*	*	2.2 (56)
3/4" Sweat	5.5 (138)	2.8 (72)	4.7 (119)	6.6 (167)	6.5 (166)	2.2 (56)
1" Sweat	5.5 (138)	2.8 (72)	4.7 (119)	7.4 (189)	7.0 (177)	2.2 (56)
3/4" Threaded	5.5 (138)	2.8 (72)	4.7 (119)	6.6 (167)	6.5 (166)	2.2 (56)
1" Threaded	5.5 (138)	2.8 (72)	4.7 (119)	8.1 (205)	7.3 (185)	2.2 (56)
3/4" CPVC	5.5 (138)	2.8 (72)	4.7 (119)	6.7 (169)	6.6 (167)	2.2 (56)

## CONNECTIONS (sold separately)

- Sweat ..... 3/4" and 1"
- Sweat w/ check ..... 3/4" and 1"
- Threaded (NPT) ..... 3/4" and 1"
- Threaded (NPT) w/ check ..... 3/4" and 1"
- CPVC ..... 3/4" and 1"
- CPVC w/ Check ..... 3/4" and 1"

## CERTIFICATIONS

The Cash Acme Heatguard® 115-H is certified to ASSE 1017 and CSA B125.3.  
The Cash Acme Heatguard® 115-H is listed by ASSE and IAPMO.