



Heatguard® 145 Series

The Heatguard® 145 is a compact Thermostatic Mixing Valve that mixes hot water with cold to deliver tempered water at a constant temperature.

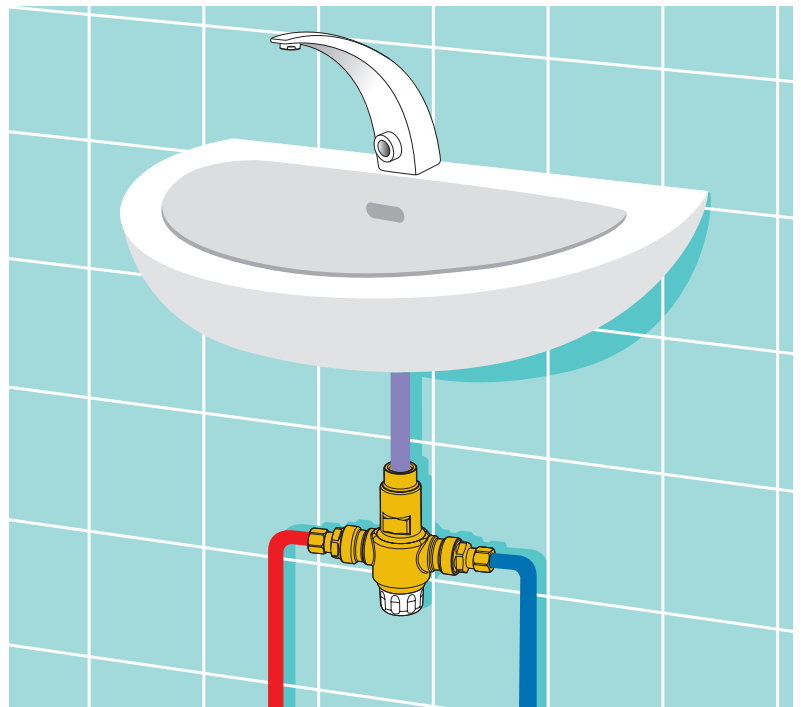
The Heatguard® 145 is specifically intended for use in conjunction with individual faucets and electronic sensor faucets.

- Compact design: *Easily fits under or behind a single basin.*
- Accurate temperature control with flows as low as 0.5 gpm: *Increased user comfort and convenience, (especially with sensor faucets).*
- Robust, low complexity construction: *Superior reliability, improved user safety.*
- Total flow shut-off if cold supply fails: *Greater end user safety.*
- Listed by IAPMO and ASSE: *Inspector friendly, peace of mind!*



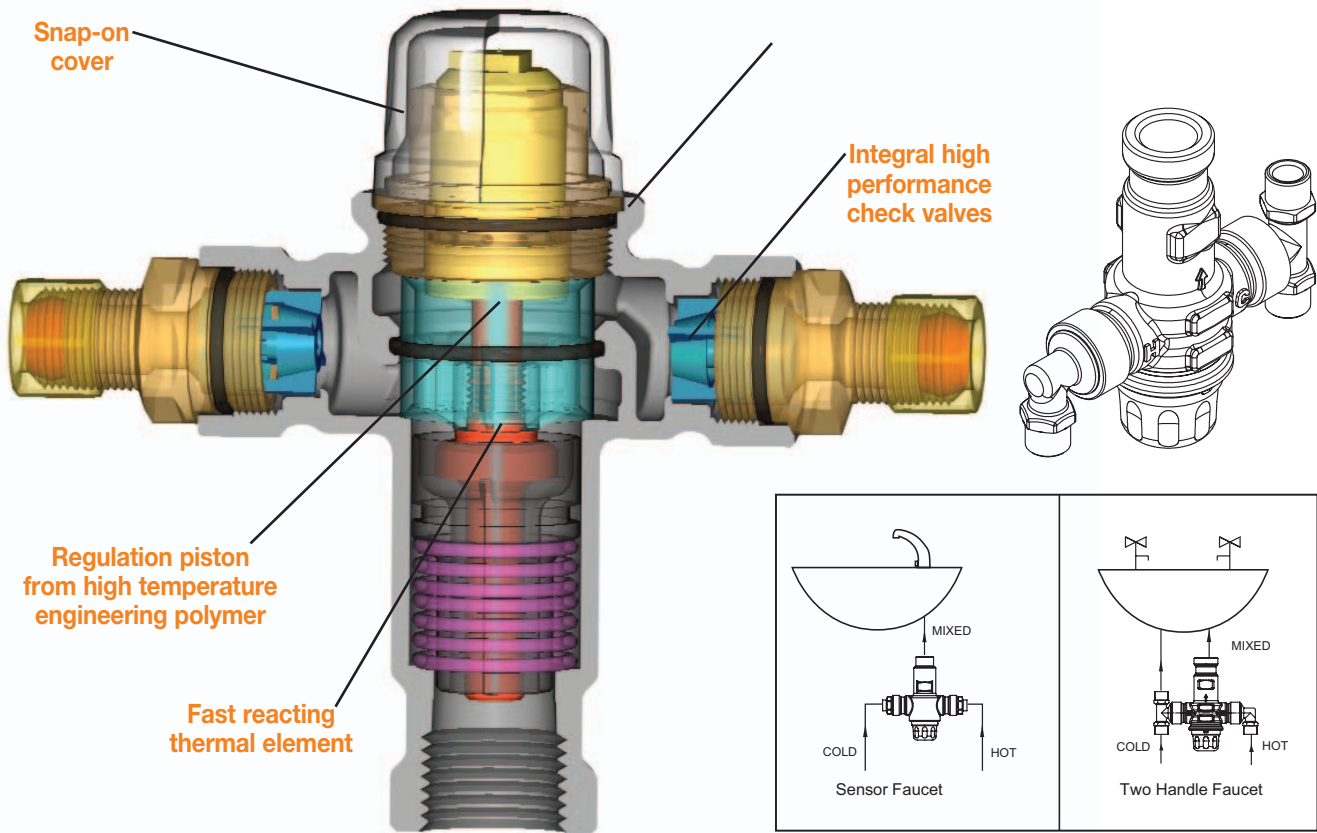
TYPICAL INSTALLATION

The Heatguard® 145 is a high performance Thermostatic Mixing Valve used to supply single outlets. It can be used to supply sensor faucets or two handle manual faucets.

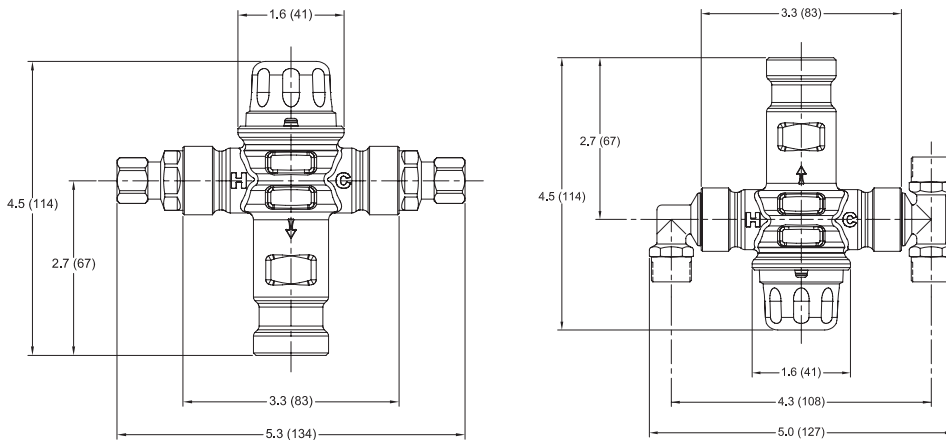




Heatguard® 145 Series



MODELS/SIZES



CONNECTIONS

Compression w/ check 1/4" ID Tube (3/8" OD) and 1/2" ID Tube (5/8" OD)

CERTIFICATIONS

The Cash Acme Heatguard® 145 is certified to ASSE 1070 and CSA B125.3.
The Cash Acme Heatguard® 145 is listed by ASSE and IAPMO.