

# E-3 Pressure Regulating Valve

## DESCRIPTION

The Cash Acme E-3 Pressure Regulating Valve automatically reduces a high inlet pressure to a lower delivery pressure and maintains the lower pressure within acceptable limits. It provides substantially higher capacity and closer regulation for more demanding and higher quality installations. The E-3 incorporates a yoke-type design, allowing the regulator to close against the inlet pressure and provide quieter operation under wide and varying flow conditions.

The E-3 is designed for use where supply line inlet pressure does not exceed 300 psi and is suitable for either cold or hot (to 180°F) water service for a variety of applications. Standard factory outlet setting is 45 psi, but other settings are available.

## FEATURES AND BENEFITS

Automatically reduces a high inlet pressure to a lower delivery pressure:  
*Maintains a lower pressure within reasonably close limits.*

Every valve is tested for performance prior to shipping:  
*Specify and install with confidence!*

Solves problems of water hammer, pipe noise and rapid wearing of fixtures, faucets and valves:  
*Longer life of the valve saves money and time!*

Rugged bronze body:  
*Superior reliability and improved user safety.*

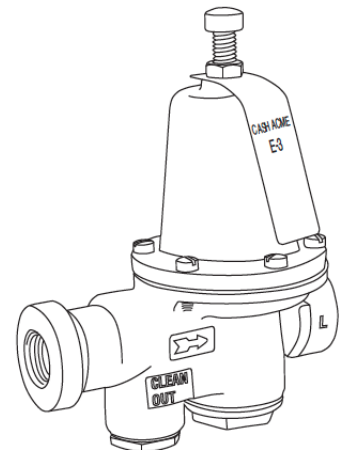
Listed by ASSE 1003 and IAPMO:  
*Inspector friendly for peace of mind.*

Every valve is tested for performance prior to shipping:  
*Specify and install with confidence.*

Assembled and tested in the USA:  
*Prepared in our manufacturing plant in Cullman, Alabama.*

## SPECIFICATION

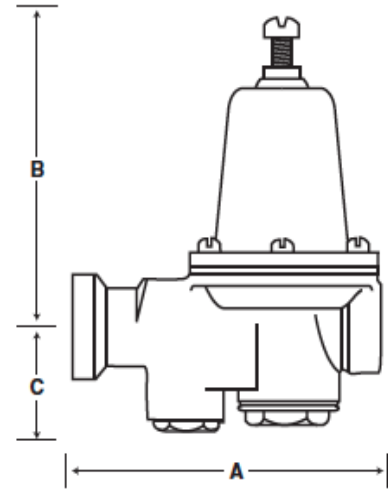
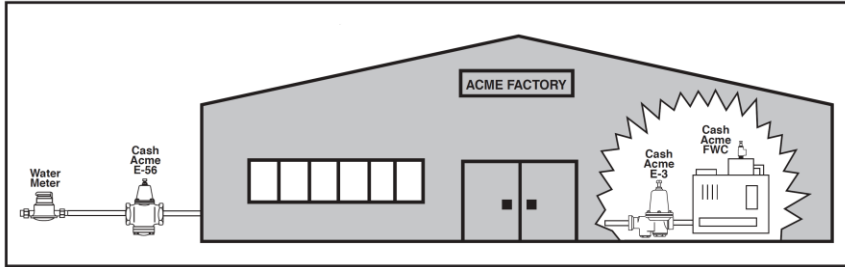
A pressure regulating valve shall be installed to reduce high supplies of incoming water pressure. The valve shall be ASSE 1003 and IAPMO listed. The valve shall have a bronze body and a maximum inlet pressure of 300 psi. The valve shall have a separate cleanout plug that houses a Stainless Steel or Monel strainer screen. The valve shall be a yoke-type design with a buna seat disc and a stainless steel body seat. The valve shall be a **Cash Acme E-3 Pressure Regulating Valve**.



# E-3 Pressure Regulating Valve

## TYPICAL INSTALLATION

The E-3 Pressure Regulator should be installed in the horizontal position with the spring chamber upright. For other installation requirements, consult the factory.



## SPECIFICATION DATA

### Performance:

Outlet pressure range..... 20-70 psi<sup>1</sup>  
 Maximum temperature..... 180°F  
 Maximum initial pressure..... 300 psi  
 Service..... Air and water

### Materials:

Spring Chamber:  
 1/2" and 3/4" Models..... Iron  
 1" through 2" Models..... Aluminum  
 Adjustment Spring..... Steel (Zinc Plated)  
 Body..... Bronze  
 Diaphragm..... EP/Nylon  
 Body Seat..... Stainless steel  
 Seat Disc..... Buna-N  
 Piston..... Bronze  
 Piston Spring<sup>2</sup>..... Stainless Steel  
 Strainer Screen..... Stainless steel or Monel  
 Cleanout Plug..... Bronze

<sup>1</sup>Low (10-40 psi) and High (71-150 psi) pressure ranges are also available.  
<sup>2</sup>Low pressure range only.

## AVAILABLE CONNECTIONS

Threaded (NPT)..... 1/2", 3/4", 1", 1-1/4", 1-1/2" and 2"

## CERTIFICATIONS

The Cash Acme E-3 Pressure Regulator is certified to **ASSE 1003** and **NSF/ANSI 372** and is listed by **ASSE** and **IAPMO (UPC)**.

Dimensions	A	B	C
1/2"	5"	5-1/4"	1-3/4"
3/4"	5-1/2"	5-15/16"	1-7/8"
1"	6-7/16"	7"	2-11/16"
1-1/4"	7-5/8"	7-1/2"	3"
1-1/2"	8-7/8"	8-1/2"	3-1/4"
2"	10-7/16"	10-1/4"	3-3/16"

Pipe Size	P <sub>1</sub> Variation (psi)	Water Capacity (gpm)			
		Differential Pressure P <sub>1</sub> -P <sub>2</sub> (psi)			
		10	25	50	100 Or More
1/2"	5	3	4	4-1/2	5-1/2
	10	6	8	10	11
	15	8	11	13 -/2	15
	20	9-1/2	13	15-1/2	17
3/4"	5	4	6-1/2	7-1/2	9
	10	8-1/2	12-1/2	16	17
	15	12-1/2	17-1/2	22	24
	20	15-1/2	21	26	28
1"	5	7	10	11	12
	10	15	20-1/2	25-1/2	27-1/2
	15	22	29	35-1/2	37-1/2
	20	28	35	41-1/2	44-1/2
1-1/4"	5	8-1/2	11	12	14
	10	20	27	33	36
	15	30	41	51	55
	20	40	53	65	70
1-1/2"	5	10-1/2	14	16	18
	10	27	38	48	52
	15	39	55	70	76
	20	50	72	92	100
2"	5	16	20	23	25
	10	37	52	65	70
	15	55	76	95	102
	20	70	97	120	130