

BFAC Combination Backflow Preventer and Pressure Reducing Valve

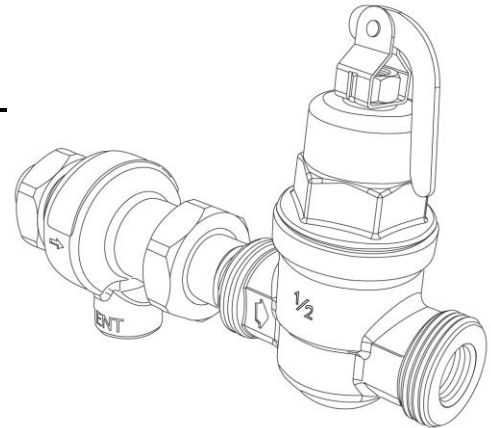
DESCRIPTION

The Cash Acme BFAC combines the quality pressure reduction of the Cash Acme A-89 Pressure Reducing Boiler Feed Valve with the effective backflow prevention of the Cash Acme BFP Double-Check Backflow Preventer.

The Cash Acme BFAC accurately reduces system pressure down to 14 psi while preventing the back-siphonage of contaminated water into the potable water supply. The BFA features threaded (NPT) inlet and outlet connections.

The Cash Acme A-89 provides for increased outlet pressure control, while the Cash Acme BFP is designed specifically for smaller boiler feed lines.

The Cash Acme BFAC is available in 1/2" size only.



FEATURES AND BENEFITS

Pressure reduction and prevention of water backflow in one compact valve:
Two vital functions in one unit!

A-89 contains a polymer seat:
Prevents scaling!

Economical and easy to install:
Saves money and time!

Features a double-check vacuum breaker backflow system:
Effectively prevents the reverse flow of polluted water.

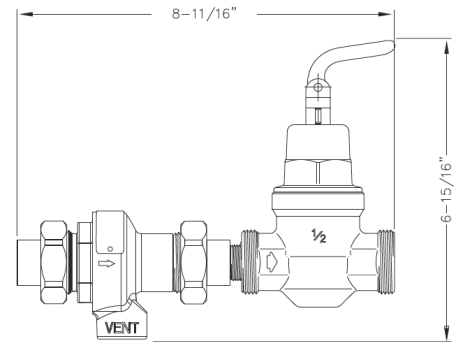
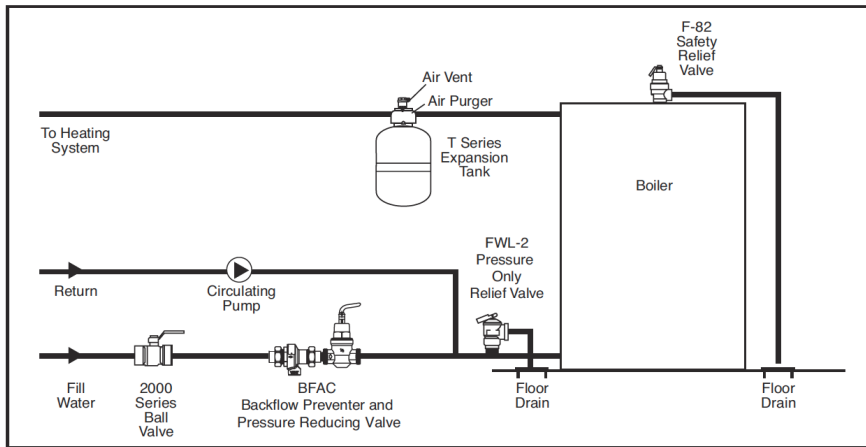
Rapid fill and balanced piston allows for closer outlet control:
Higher capacity, constant water flow.

SPECIFICATION

A combination backflow preventer and pressure reducing valve shall be installed to prevent the backflow of contaminated water while managing incoming water pressure. The valve shall be a Cash Acme BFAC.

BFAC Combination Backflow Preventer and Pressure Reducing Valve

TYPICAL INSTALLATION



SPECIFICATION DATA

Performance:

Outlet pressure	A89 factory set at 14 psi
Maximum temperature	180°F (80°C)
Maximum inlet pressure	170 psi
Service	Water

Materials A-89:

Body	Brass
Strainer	Stainless steel
Seat	Polysulphone
Seat Disc	EP
Diaphragm	EP and Nylon
Spring Chamber	Iron
Piston	Brass
O-Ring	EP

Materials BFP:

Body	Brass
Strainer Screen	Stainless steel
Springs	Stainless steel
Check Valves	Plastic
O-Ring	Buna-N

CONNECTIONS

Sweat	1/2" Intlet
Threaded (NPT female)	1/2" Outlet