



Heatguard® 115 Series—Lead Free

DESCRIPTION

The **Heatguard® 115** is a large sized high flow rate Temperature Actuated Mixing Valve that mixes hot water with cold to deliver tempered water at a controlled pre-set temperature.

The **Heatguard® 115** is intended for installation at water heater to distribute controlled temperature water throughout the domestic hot water system for larger residential and commercial applications. The valve is factory set to deliver water at a maximum of 120°F (49°C), allowing the heater to be set at 140°F (60°C) or higher, thus providing a greater effective volume of hot water and reducing the chances of legionella bacteria growth in the water. The outlet water flow rate is 27.2 gpm at 50 psi, making it suitable for larger residential and commercial installations.

The **Heatguard® 115** has an outlet temperature range extending to 176°F (80°C), making it ideal for applications in heating systems or in any installation requiring the delivery of reduced temperature hot water.

The **Heatguard® 115** is a high quality mixing valve incorporating the latest in thermostatic technology. It features a robust design based on the expertise gained from years of experience in the design and manufacture of safety valves. It incorporates a fast acting, high quality thermostatic element that senses the outlet water temperature and reacts to maintain a stable delivery water temperature even under changing flows or variations in supply temperatures. Every valve is tested for performance on an automated testing station during the assembly process.

The **Heatguard® 115** is shipped complete as a kit with your choice of end connections in 3/4", 1" & 1 1/4" sizes. Available end connections are sweat or threaded. All valves are supplied standard with check valves at hot and cold water inlets.



HEATGUARD®
THERMOSTATIC MIXING VALVES

FEATURES AND BENEFITS

Delivers water at a maximum of 120°F (49°C) throughout the system:

Safer hot water from all outlets.

Allows the heater to be set at 140°F (60°C) or higher:

Greater effective hot water volume, less chance of legionella within the cylinder.

Large sized valve with high flow rates:

Single valve can supply controlled water to a large installation.

Robust, low complexity construction:

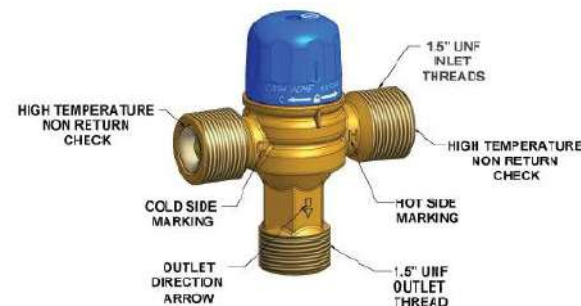
Superior reliability, improved user safety.

Integral union connections on all three ports:

Easy and quick to install and service.

Listed by IAPMO and ASSE:

Inspector friendly, peace of mind!



SPECIFICATION

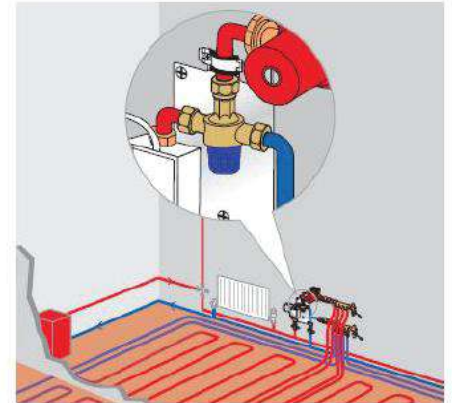
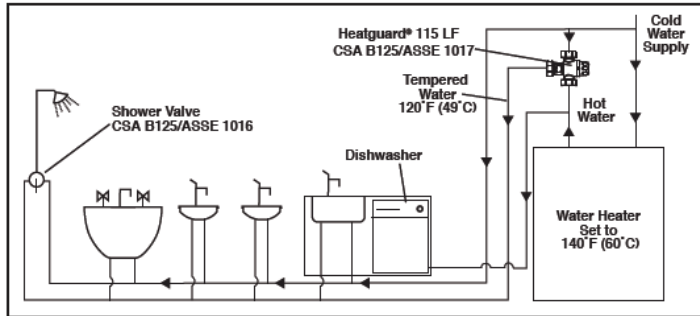
A Temperature Actuated Mixing Valve shall be installed at the water heater to distribute tempered water throughout the domestic hot water system at a maximum of 120°F (49°C). The valve shall be certified to ASSE 1017 and CSA B 125.3 standards and shall be listed by a third party. The temperature actuated mixing valve shall control the delivered water temperature via a regulating piston made from engineered polymer. The valve shall be a Cash Acme **Heatguard® 115 LF**.



Heatguard® 115 Series—Lead Free

TYPICAL INSTALLATION

To control water temperature at the source of heat (hot water tank) to provide a safe distribution of temperature, or for use in heating systems.



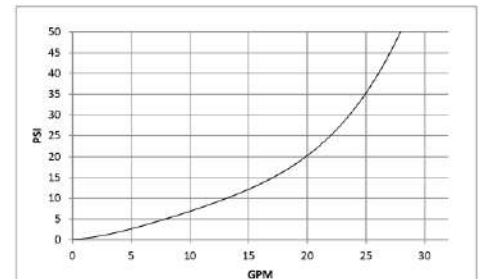
SPECIFICATION DATA

Performance:

Adj. outlet temperature range	85 – 176°F (29 – 80°C)
Temp. hot supply	120 – 180°F (48.9 – 82.2°C)
Temp. cold supply	39 – 80°F (3.9 – 26.7°C)
Maximum pressure	230 psi (1600 kPa)
Flow rate, minimum	2.5 gpm (9.5 l/min)
Flow rate, maximum	27.2 gpm (100 l/min)

Materials:

Body	DZR Brass
Seals	EPDM
Springs	Stainless Steel
Internal cap	Brass
Piston	Engineered Polymer

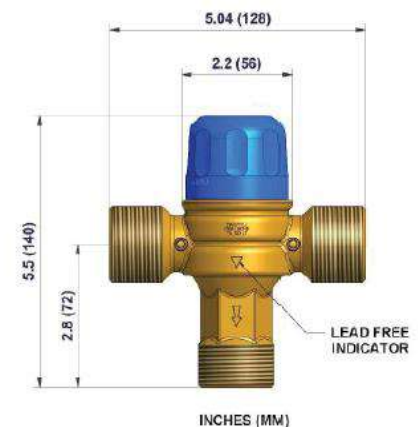


AVAILABLE CONNECTIONS

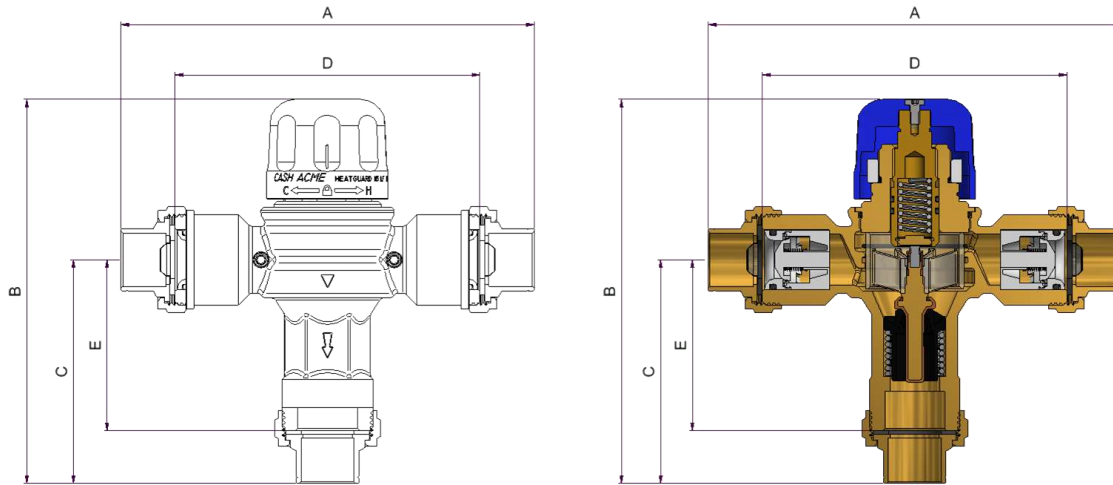
Sweat	3/4", 1" and 1 1/4"
Threaded (NPT)	3/4" and 1"

CERTIFICATIONS

The Cash Acme **Heatguard® 115 LF** is certified to ASSE 1017, CSA B125.3, NSF/ANSI 372, NSF/ANSI/CAN 61 and listed by ASSE and IAPMO for use in accordance with U.S. and Canadian plumbing codes.



Heatguard® 115 Series—Lead Free



	Size	Description	Part	A		B		C		D		E	
				in	mm	in	mm	in	mm	in	mm	in	mm
Heatguard® 115	¾"	Sweat	24519	6.84	173.77	6.50	165.21	3.70	93.86	5.05	128.20	2.83	71.78
	1"	Sweat	24520	7.72	196.02	6.94	176.33	4.13	104.98				
	1 ¼"	Sweat	24521	8.25	209.48	7.33	183.77	4.43	112.42				
	¾"	Threaded NPT	24522	6.50	165.03	6.33	160.84	3.52	89.49				

