

# Cash Acme® Tankless Water Heater Installation Kit

## DESCRIPTION

The SharkBite Tankless Water Heater Kit makes connecting to the tankless water heater easy and convenient. The valves connect directly to the cold water inlet and the hot water outlet of the tankless water heater.

## FEATURES AND BENEFITS

Quick and easy installation:

*Compact design works in a variety of situations, including tight spaces.*

Pressure relief valve included with every kit:

*Rated to 150 psi/ 200,000 BTU*

Pressure relief valve fitting for use with pipe covers and recessed boxes:

*Greater end user safety.*

Relocation adapter available:

*Allows the pressure relief valve to be rotated 360° for installation in recessed boxes or other tight spaces.*

Color code steel plated handles:

*Easy identification of hot and cold valves.*

Large drain port outlets available:

*Easy system cleaning & flushing*



**25760**

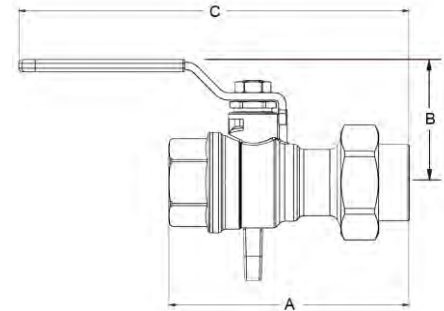
## SPECIFICATION

A Tankless Water Heater Kit shall be installed to the hot and cold water ports of the tankless water heater. The valve shall be certified to NSF/ANSI/CAN 61 and NSF/ANSI 372 standards.

# Cash Acme® Tankless Water Heater Installation Kit

## TYPICAL INSTALLATION

The Tankless Water Heater Kits are intended for installation directly at the tankless water heater. The cold water service valve threads directly to the cold water inlet and the hot water service valve threads directly on the hot water outlet. The pressure relief valve threads directly onto the 3/4" port on the side of the hot water service valve.



	A	B	C
<b>Cold Valve</b>	3.87"	1.98"	6.30"

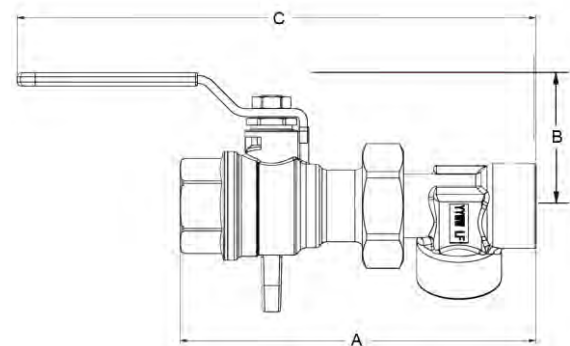
## SPECIFICATION DATA

### Performance:

Maximum inlet pressure.....	200 psi
Maximum temperature .....	200°F (93°C)
Service.....	Potable Water
Relief pressure .....	150 psi
Ball valve connections .....	3/4"

### Valve Materials:

Body.....	Lead Free* Brass – CW510L
Ball .....	T.E.A Coated Brass – CW510L
Seat.....	PTFE
Stem.....	Lead Free* Brass – CW510L
Packing .....	PTFE
Stem o-ring.....	Viton®
Packing Gland .....	Brass – CW614N
Handle.....	Steel – Geomet® Plated
Handle nut.....	Steel – Geomet® Plated
Union washer .....	EPDM
Tail Piece .....	Lead Free* Brass – CW510L
Union Nut .....	Brass – CW617N
Tether.....	PVC
Cap .....	Lead Free* Brass – CW510L
Flat Washer .....	Buna-N



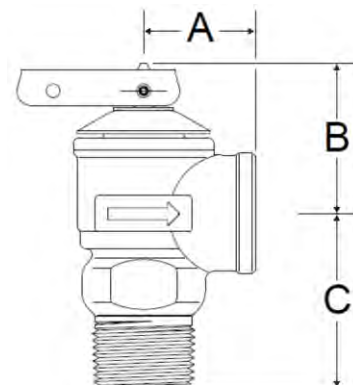
	A	B	C
<b>Hot Valve</b>	5.29"	1.98"	7.71"

## CERTIFICATIONS

The valves(T103ASG) are certified to NSF/ANSI 372, NSF/ANSI/CAN 61, ANSI B1.20.1, ANSI B1.20.7

The relief valve (FWL-2) is certified to ANSI Z21.22/CSA 4.4 and are capacity certified to ASME Boiler Code Section IV

\*For all models, surfaces that are in contact with consumable water contain less than 0.25% lead by weight.



	Size	A	B	C
<b>Relief Valve</b>	3/4"	1.16"	1.56"	1.78"