



Cash-Flo® Double Check Backflow Preventer Type DCV (lead-free iron)

DESCRIPTION

The Cash-Flo Double Check Backflow Preventer (DCV) is designed to prevent the undesirable reversal of flow of water or other substances into the potable water system. The DCV provides protection against back-pressure and back-siphonage. The DCV body and gate valves are constructed from epoxy coated ductile iron and corrosion resistant internal components. The Cash-Flo DCV is designed to streamline the number of working parts, making maintenance easy. The unique top-entry cover allows quick access to both check valves. The Cash-Flo Double Check Backflow preventers are available in 2-1/2" thru 10" sizes. The DCV is designed for maximum system pressures to 175 psi. The maximum operating temperature is 140°F (60°C).



FEATURES AND BENEFITS

Top-entry, single access cover:

Provides easy access and servicing for valve internals.

Body, and shut-off valves composed of ductile iron with an epoxy coating:

Inspector friendly, non-erosive, peace of mind!

Check valve seats composed of high quality Noryl™ material (2-1/2" & 3") and unleaded bronze (4"-10"):

Seats will last longer and hold up to extreme conditions.

All internals composed of dimensionally stable, corrosion-resistant materials:

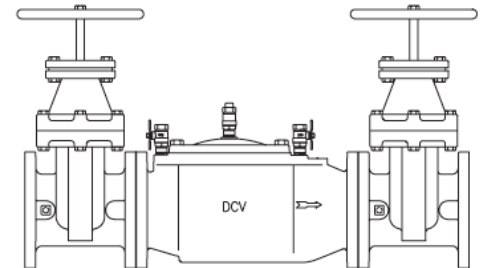
Provides for longer valve life and less servicing.

Wide range of sizes for commercial applications:

DCV backflow preventers range from 2-1/2" thru 10".

SPECIFICATION

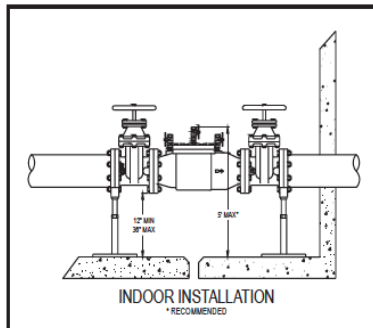
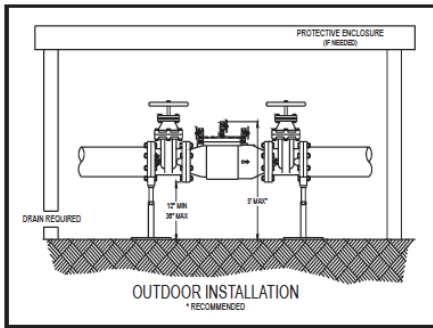
Double Check Valve Assembly Backflow Preventer shall protect against backflow by either back-pressure or back-siphonage from a cross-connection between potable water systems and substances that are low health hazards. The device shall be constructed from epoxy coated Ductile Iron. It shall consist of two (2) mechanically independent, spring loaded, center stem, guided check valves. The device shall have a epoxy coated cast ductile iron body, with a single access cover. The assembly shall have four (4) vertical test cocks which are quarter-turn, full-port, resilient seated and ball type. Supplied with two (2) full ported gate valves. The check valves shall be held in place by stainless steel clips and the check valve assemblies shall be non-interchangeable with silicone discs.



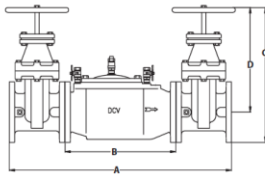


Cash-Flo® Double Check Backflow Preventer Type DCV (lead-free iron)

TYPICAL INSTALLATION



SPECIFICATION DATA



Size	Part #	A	B	C	D	Width	Wgt with GV	Wgt less GV
Inch		Inch	Inch	Inch	Inch	Inch	lbs	lbs
2-1/2	CB9105	31-1/4	16-1/4	14-7/8	14-3/8	7-3/4	154	50
3	CB9106	32-1/4	16-1/4	16-1/8	12-3/8	10	176	50
4	CB9107	39	21	19-1/4	14-3/4	10	290	100
6	CB9109	46	25	24-1/2	19	12-1/8	447	147
8	CB91010	50-1/2	27-1/2	29-1/4	22-1/2	14-3/4	695	285
10	CB91011	58-5/8	32-5/8	34-1/2	26-1/2	18	Consult Factory	

Performance:

Maximum working pressure 175 psi
 Maximum working temp 140°F (60°C)
 Hydrostatic Test Pressure 350 psi

Materials:

Valve Body Epoxy Coated Ductile Iron
 Access Cover Ductile Iron
 Polymers Noryl™ NSF Listed
 Elastomers Silicone
 Springs Stainless Steel

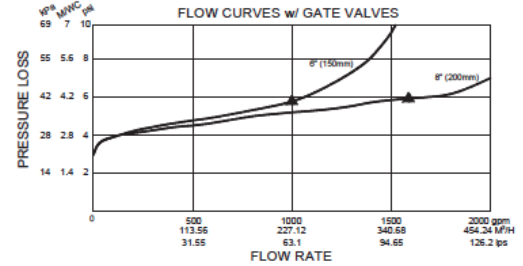
AVAILABLE CONNECTIONS

2-1/2", 3", 4", 6", 8" and 10"

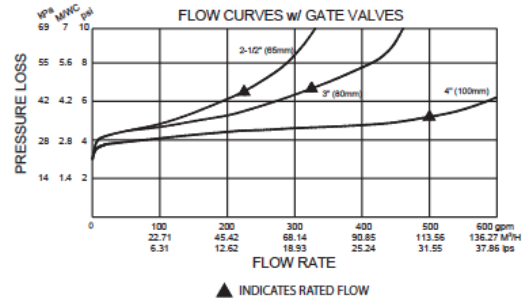
CERTIFICATIONS

The Cash-Flo® Double Check Backflow Preventers Type DCV are CSA and ASSE 1015 listed, AWWA Compliant C510. All major national approvals are under the Flomatic brand name.

FLOW CHARACTERISTICS



FLOW CHARACTERISTICS



RATED FLOW

(Established by Approval Agencies)

Pipe size	Capacity thru Schedule 40 Pipe (GPM)			
	5 ft/sec	7.5 ft/sec	10 ft/sec	15 ft/sec
2-1/2"	75	112	149	224
3"	115	173	230	346
4"	198	298	397	595
6"	450	675	900	1351
8"	780	1169	1559	2339

