

Cash Acme™

MBV001 Mechanical Mixing Valve

The MBV001 is a mechanical mixing valve designed for use with single faucets. The stainless steel lever adjusts the amount of incoming hot and cold water.

Note: The Cash Acme mechanical mixing valve is NOT a temperature limiting device and does not provide automatic control of the water temperature.

Approved Applications

Intended for use with continuous or intermittent applications on water supply lines.

Specification Data

Performance

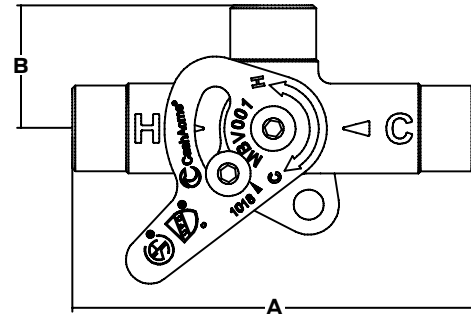
Maximum Inlet Pressure	125 psi
Maximum Inlet Temperature	180°F (93°C)
Service	Potable Water

Materials

Body	Lead-Free Brass
Adjustment Lever	Stainless Steel

Certifications & Listings

NSF/ANSI/CAN 61, NSF/ANSI,CAN 372,
ASME 112.181.1/CSA B125.1



Dimensions (inches)

Size	Connection Style	Part #	A	B
3/8"	Compression	25903	3	1

Product Submittal

Name	
Date	
Architect/Owner	
Contractor	
Tag	
Notes	