

# TANK BOOSTER™ PRO

## DESCRIPTION

Cash Acme **Tank Booster** is a Temperature Actuated Mixing Valve that mixes hot water with cold to deliver tempered water at a controlled temperature to 120°F (49°C).

The **Tank Booster** is intended for installation at the water heater to distribute controlled temperature water through hot water systems in residential and commercial applications. The valve delivers water at 120°F (49°C), allowing the heater to be set at 140°F (60°C) or higher, thus providing a greater effective volume of hot water and reducing the chances of Legionella bacterial growth in the water.

The **Tank Booster** is a high quality mixing valve incorporating the latest in thermostatic technology. It features a robust design based on the expertise gained from years of experience in the design and manufacture of safety valves. Every valve is tested for performance on an automated testing station during the assembly process. The valve is third party listed for distribution applications.

The **Tank Booster** incorporates a fast acting, high quality thermostatic element that senses the outlet water temperature and reacts to maintain a stable delivery temperature even under changing flows or variations in supply temperatures. The valve also greatly reduces the outlet flow in the event of a cold water supply failure.

The **Tank Booster** is factory set at 120°F (49°C), but can easily be adjusted.

The **Tank Booster** is designed for easy and quick installation and is shipped complete with the valve, flexible connector and water heater tee. Can be used with SharkBite flexible water heater connectors for easy installation while using Copper, PEX, or CPVC tubing. Does not require any transition fittings.

## FEATURES AND BENEFITS

Precise temperature control:

*Safer hot water from all outlets.*

Allows the water heater to be set at 140°F (60°C) or higher:

*Greater effective hot water volume and less chance of Legionella within the cylinder*

Every valve is tested for performance prior to shipping:

*Specify and install with confidence!*

More hot water from the same water heater:

*Higher storage temperature means a greater effective hot water volume delivered at a safe 120°F (49°C).*

Robust, low complexity construction:

*Superior reliability, improved user safety.*

Adjustable and lockable mechanism:

*Minimizes unauthorized tampering with valve setting. Factory set at 120°F (49°C)*

Listed by IAPMO and ASSE:

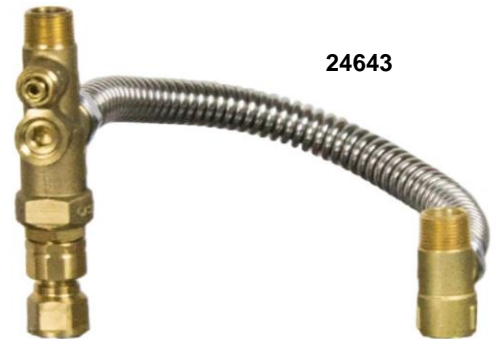
*Inspector friendly, piece of mind.*

Integral recirculation port

*Allows quick and neat installations in systems with recirculation.*



24644



24643



Now Available  
with  
Temperature  
Gauge!

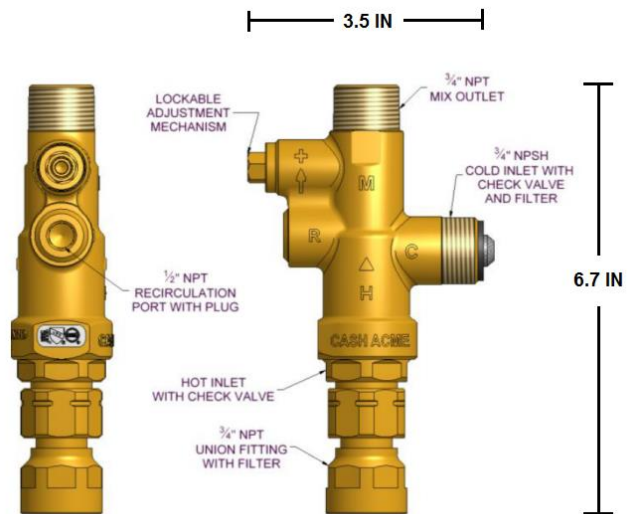
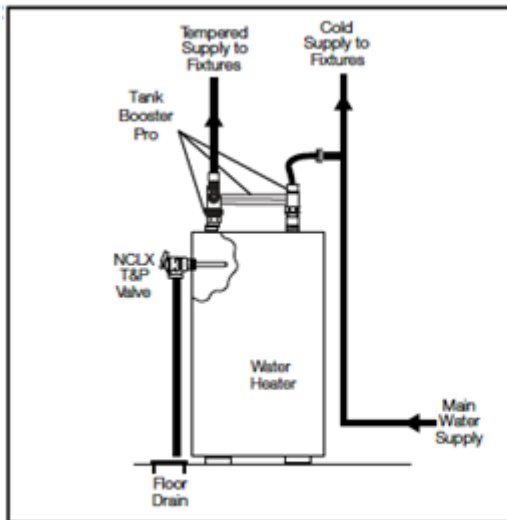
# TANK BOOSTER<sup>TM</sup> PRO

## SPECIFICATION

A Temperature Actuated Mixing Valve shall be installed at the water heater to distribute tempered water throughout the domestic hot water system at a temperature of 120°F (49°C). The valve shall be certified to ASSE 1017, CSA B 125.3, NSF 372, NSF/ANSI 61 and shall be listed by a third party. The Temperature Actuated Mixing Valve shall control the delivered water temperature via a regulating piston made from engineered polymer. The adjusting mechanism shall be lockable. The valve shall be a Cash Acme Tank Booster Pro.

## TYPICAL INSTALLATION

Residential and commercial hot water distribution applications. To control water temperature at the source of heat (water heater) to provide a safe distribution temperature.



(Please consult with local plumbing codes concerning specific water heater piping requirements.)



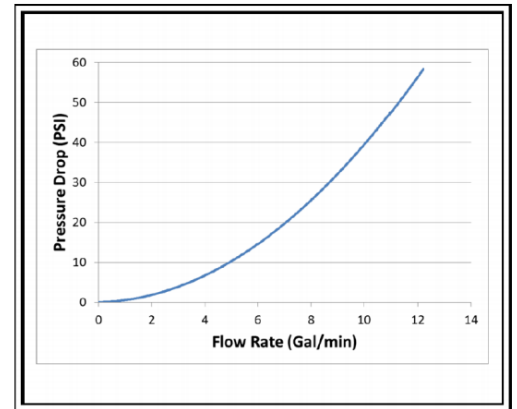


# HEATGUARD<sup>®</sup> TANK BOOSTER<sup>™</sup> PRO

## SPECIFICATION DATA

### Performance:

Operating temperature range .....90 - 130°F (32 - 55°C)  
 Factory set temperature range .....115 - 120°F (46 - 48.9°C)  
 Hot temperature supply range .....120 - 180°F (48.9 - 82.2°C)  
 Cold temperature supply range .....39 - 80°F (5 - 27°C)  
 Maximum supply pressure.....150 psi (1030 kPa)  
 Flow rate, minimum .....1 gpm (4 L/min)  
 Flow rate, maximum .....See flow curve



### Materials:

Body.....DZR Brass  
 Seals.....EPDM  
 Springs.....Stainless Steel  
 Internal Cap.....Brass  
 Piston.....Engineered Polymer

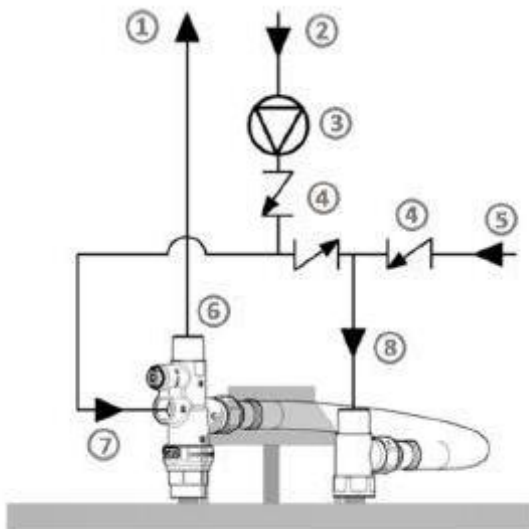
## AVAILABLE CONNECTIONS

3/4" MNPT mix outlet x 3/4" FNPT union fitting x 3/4" NPSH cold inlet

## CERTIFICATIONS

The Cash Acme **Tank Booster** is certified to ASSE 1017, ASSE 1070, CSA B125.3, NSF/ANSI 61, and NSF 372 and listed by IAPMO and ASSE for use in accordance with the U.S. and Canadian plumbing codes.

### Recirculation Diagram



#### Description:

- 1) Tempered water supply to system
- 2) Tempered water return from system
- 3) Circulating pump
- 4) Non return valve
- 5) Cold water supply
- 6) Mix outlet
- 7) Mixing valve recirculation port
- 8) Cold inlet

