



# VB-222 Self-Draining Hose Connection Vacuum Breaker

## DESCRIPTION

Cash Acme's Freeze Resistant Self-Draining **VB-222** Hose Bibb Backflow Preventer is so innovative that it holds a U.S. Patent for 22 design features.

The Cash Acme **VB-222**, automatically self-drains when all attachments are removed from the valve's outlet. It is designed to prevent dangerous back-siphonage and backflow into a potable water supply system.

The self-draining feature also makes this valve "freeze-resistant" thus protecting the valve and hydrant from rupturing in cold weather. Specifically designed for use around homes, schools, commercial buildings, laboratories and any place involving moveable hoses attached to threaded faucets.

When a hose is connected to the **VB-222** Backflow Preventer, the piston is pushed up into the operating position and the pusher post moves against the seat disc (no flow condition). When flow is introduced, the pusher post and seat disc move downward allowing flow through the valve and sealing the drain holes.

Under a backflow or back-siphonage condition, the check subassembly remains seated against the inlet, opening the drain holes to permit water to escape without entering the potable water supply.

When all attachments to the **VB-222** are removed, the piston retracts pulling the pusher post and disc away from the sealed position allowing the valve to drain.

## FEATURES AND BENEFITS

Prevents dangerous back-siphonage:

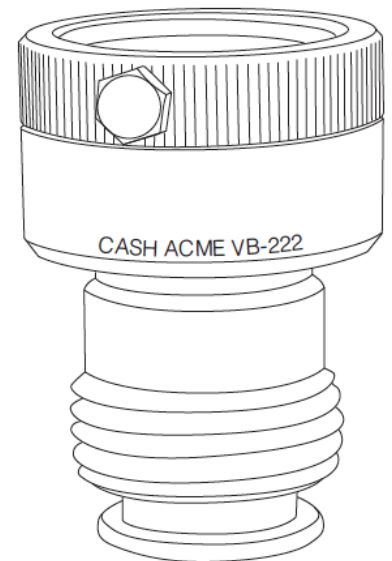
*Automatically drains when attachments are removed from the valve's outlet.*

Freeze proof self-draining hose:

*Protects the valve and faucet from freezing and rupturing in cold weather.*

Listed by ASSE 1011, CSA and IAPMO:

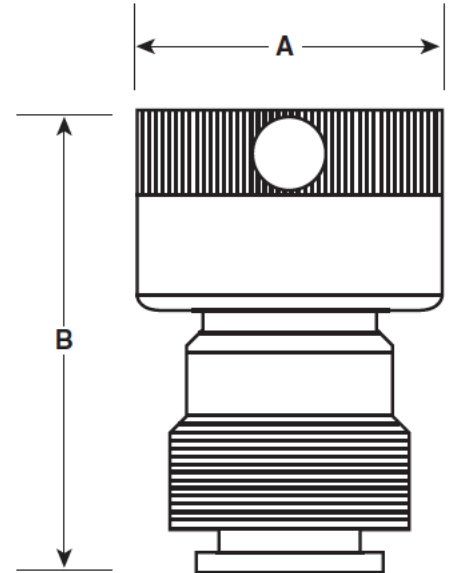
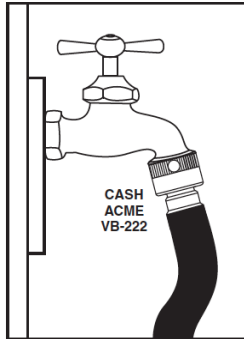
*Inspector friendly, peace of mind!*





# VB-222 Self-Draining Hose Connection Vacuum Breaker

## TYPICAL INSTALLATION



VB-222 Dimensions

Size	A	B
3/4"	1-5/16"	2"

## SPECIFICATION DATA

### Performance:

Service Water

### Materials:

Body Brass  
 Check subassembly Molded  
 O-ring Buna-N  
 Seat Discs Buna-N  
 Springs Stainless steel

## AVAILABLE CONNECTIONS

Threaded (NH) 3/4"

## CERTIFICATIONS

The **Cash Acme VB-222** is approved per ASSE Standard 1011 and CSA B64.2 and is listed by IAPMO, ASSE and CSA.

