

Cash Acme™

AB-40 Pressure Regulating Boiler Feed Valve

The AB-40 series pressure reducing boiler feed valve features a brass body and a combo connection which allows either a threaded or sweat copper connection with the same union tail piece. The AB-40 also includes a check valve and provides an inbuilt bypass for rapid filling, high pressure testing and system purging.

Approved Applications

Large hot water space heating boilers that require faster filling.

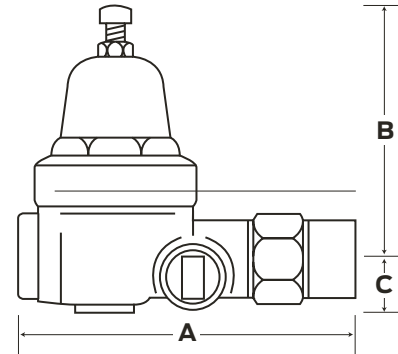
Specification Data

Performance

Factory Set	14 psi
Outlet Pressure Range	2-30 psi
Maximum Inlet Pressure	200 psi
Service	Cold water

Materials

Body	Brass
Strainer	Brass
Seat	Brass
Seat Disc	Buna-N
Diaphragm	Buna-N



Dimensions (inches)

Size	Connection Style	Part #	A	B	C
1/2"	Sweat/Threaded NPT	12214-0014	4-3/4	3-5/8	7/8

Product Submittal

Name	
Date	
Architect/Owner	
Contractor	
Tag	
Notes	