

Cash Acme™ Air Vent

The Cash Acme Air Vents are for use in heating systems to vent air trapped within the circulating water.

Approved Applications

For use in heating systems to vent air trapped within the circulating water.

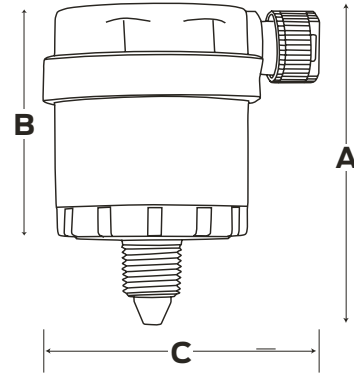
Specification Data

Performance

Maximum Temperature	200°F
Maximum Working Pressure	150 psi
Use Fluids	Water and Glycol Solutions (Maximum 50%)

Materials

Body	UNI EN 12165 CW617N Brass
O-Ring	EPDM
Stopper Spring	Stainless Steel
Internal Float	PP-H



Dimensions (inches)

Size	Connection Style	Part #	A	B	C
1/8"	Threaded NPT	24090	1-15/16	1-21/32	1-7/8
1/4"	Threaded NPT	24091	1-15/16	1-21/32	1-7/8

Product Submittal

Name	
Date	
Architect/Owner	
Contractor	
Tag	
Notes	