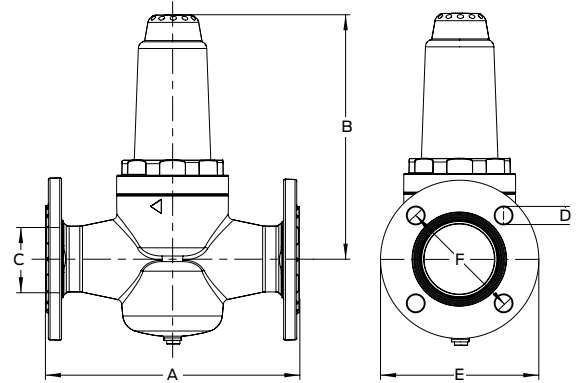


# Cash Acme™ EB25 Plus Pressure Regulating Valve

The EB25 Plus brings state-of-the-art water control technology to pressure regulators. The accurate flow control and pressure regulation of the EB25 Plus eliminates the need for costly multivalve installation such as high-low valves installed in parallel to meet varying flow requirements or multi-valves installed in series to reduce high inlet pressures to desired line pressure. The EB25 Plus is a lead-free product designed to service commercial and institutional water installations that experience wide variation in water demand or for applications where there are high inlet pressures. The valve is available in 2-1/2", 3", and 4" sizes, all with flanged connections. The valve is factory set at 55 psi.



## Approved Applications

Potable commercial and industrial water system applications.

## Specification Data

### Performance

Maximum Inlet pressure	300 psi
Temperature range	33°F - 149°F (0.6°C - 65°C)
Service	Potable Water
Outlet pressure range	30-85 psi
Factory Set	55 psi

### Materials

1 Body	Lead-Free <sup>1</sup> DZR Bronze
2 Spring	Stainless Steel
3 Seals	EPDM
4 Diaphragm	EPDM
5 Strainer	Stainless Steel

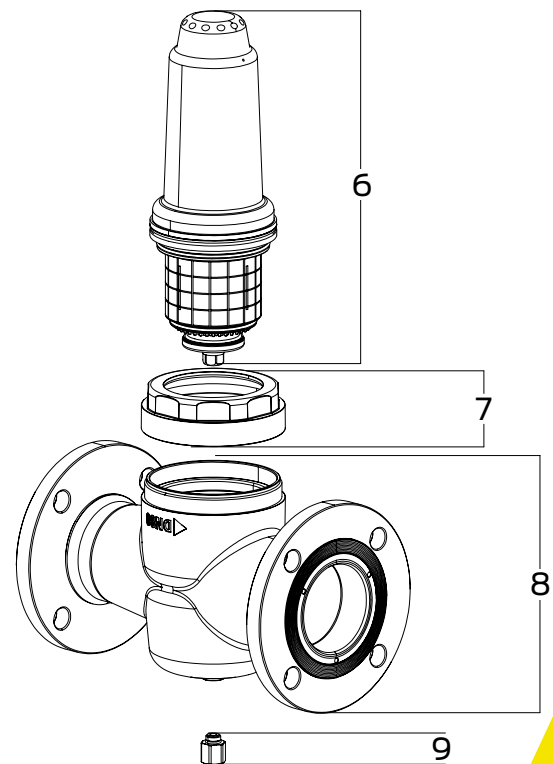
<sup>1</sup>Lead-free for all models. Surfaces that are in contact with consumable water contain less than 0.25% lead by weight.

### Components

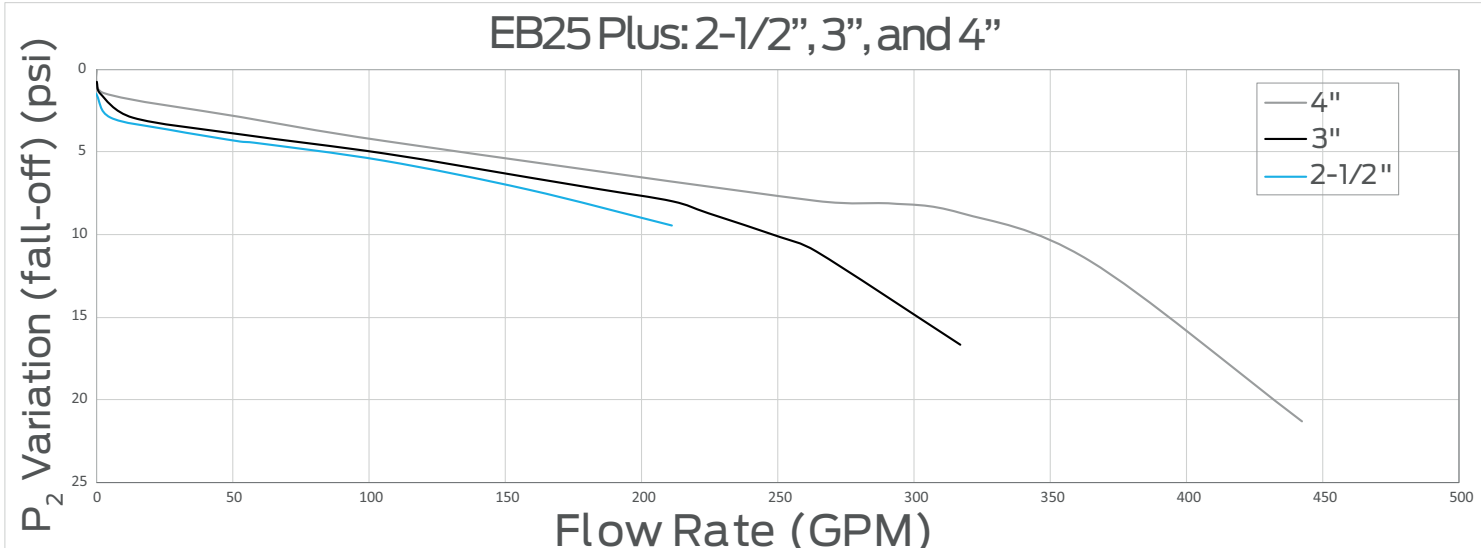
6 Cartridge
7 Locking Nut
8 Body
9 Pressure Gauge Adapter

### Dimensions (inches)

Size	Con- nection Style	A	B	C	D	E	F	Bolt diameter	# of Mount- ing Holes
2-1/2"	ANSI Class 150 Flange	11-27/64	10-15/16	2-9/16	3/4	7-3/32	5-1/2	5/8	4
3"	ANSI Class 150 Flange	12-13/64	10-15/16	3-5/32	3/4	7-31/64	6	5/8	4
4"	ANSI Class 150 Flange	13-25/32	10-15/16	3-15/16	3/4	9-1/16	7-1/2	5/8	8



### Cash Acme EB25 Plus Flow Capacity



**Pressure Differential:** Difference between the inlet pressure and the PRV set pressure.

**P<sub>2</sub> Variation:** Pressure reduction of the outlet due to the demand created downstream when a fixture is opened and water is allowed to flow through the PRV.

### Certifications & Listings

ASSE 1003\*, CSA B356\*, NSF/ANSI/CAN 372, NSF/ANSI/CAN 61

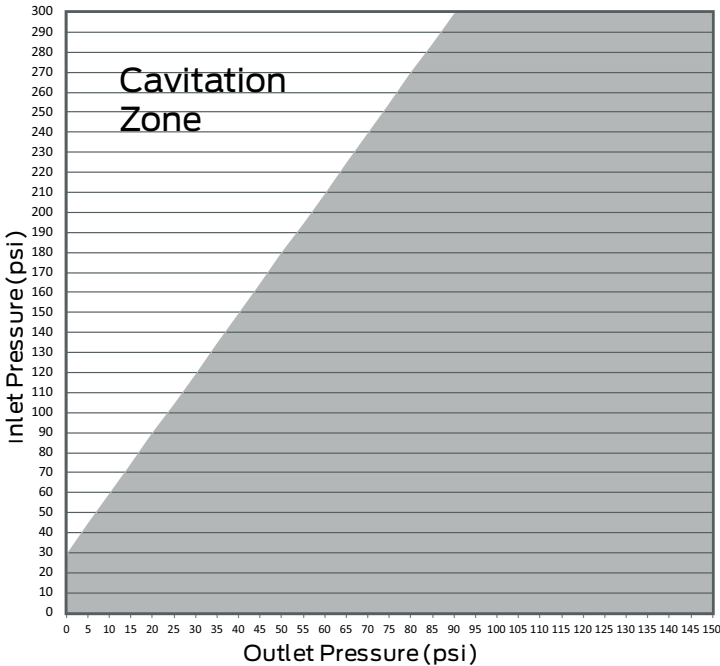
\*Only applicable to 2-1/2" and 3" versions

### Code approvals



Refer to local plumbing code

### Cash Acme PRV Cavitation Chart



### Product Submittal

Name	
Date	
Architect/Owner	
Contractor	
Tag	
Notes	

