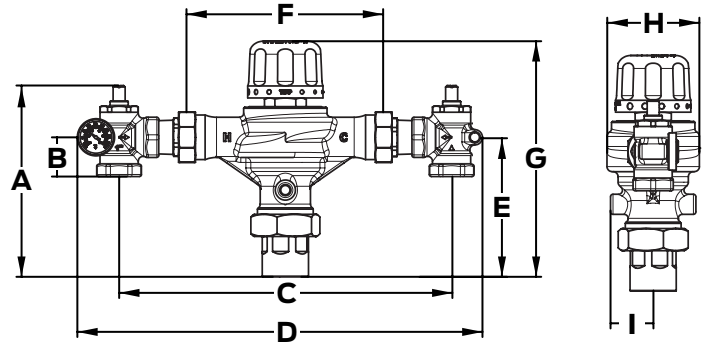


Cash Acme™ Masterguard™ 600 Series Thermostatic Mixing Valve

The MasterGuard® 600 Series are high flow rate valves that mix hot water with cold water to deliver water at a safe, controlled temperature, typically 120°F (49°C). The adjusting handle can be locked at the desired temperature.

Approved Applications

Commercial and industrial facilities to distribute controlled temperature water to the domestic hot water system of the entire building or a section of the building.



Specification Data

Dimensions (inches)

Size	Connection Style	Part #	A	B	C	D	E	F	G	H	I	Flow @ 45 PSI (GPM)	Min. Flow Rate (GPM)
3/4" Inlet X 1" Outlet	Threaded NPT	25763	7-5/16	1-13/32	12-1/8	14-1/2	5-7/32	7-19/32	9	3-19/32	2	64	5
1" Inlet X 1-1/4" Outlet	Threaded NPT	25764	7-1/2	1-1/2	13	15-13/32	5-13/32	7-19/32	9-3/16	3-19/32	2	64	5
1-1/4" Inlet X 1-1/2" Outlet	Threaded NPT	25765	9-13/16	1-13/16	14-23/32	17-1/2	6-5/16	8-11/16	10-19/32	4-1/2	2-5/16	129	6
1-1/2" Inlet x 1-1/2" Outlet	Threaded NPT	25766	9-13/16	2-1/8	15-29/32	18-11/16	6-5/16	8-11/16	10-19/32	4-1/2	2-5/16	144	6
1-1/2" Inlet X 2" Outlet	Threaded NPT	25767	10	2-1/8	19-1/8	21-29/32	6-13/32	12-3/16	10-13/16	6-1/8	2-13/16	191	10
2" Inlet X 2" Outlet	Threaded NPT	25768	11	2-1/2	19-31/32	23-1/8	6-13/32	12-3/16	10-13/16	6-1/8	2-13/16	208	10

Performance

Outlet Temperature Range	85°F-150°F (29.4°C-65°C)
Factory Set Temperature Range	113°F-120°F (45°C-49°C)
Hot Supply Temperature Range	120°F-180°F (48.9°C-82.2°C)
Cold Supply Temperature Range	39°F-80°F (3.9°C-26.7°C)
Maximum Pressure	125 psi
Min. Temperature Differential	25°F (47°C)

Materials

Body	Lead-Free ¹ DZR Brass
Springs	Stainless Steel
Internal Cap	Brass
Piston	PTFE Coated Stainless Steel
Seals	EPDM

¹ For all models, surfaces that are in contact with consumable water contain less than 0.25% lead by weight.

Certifications & Listings

ASSE 1017, NSF/ANSI/CAN 61, CSA B125.3, NSF/ANSI/CAN 372

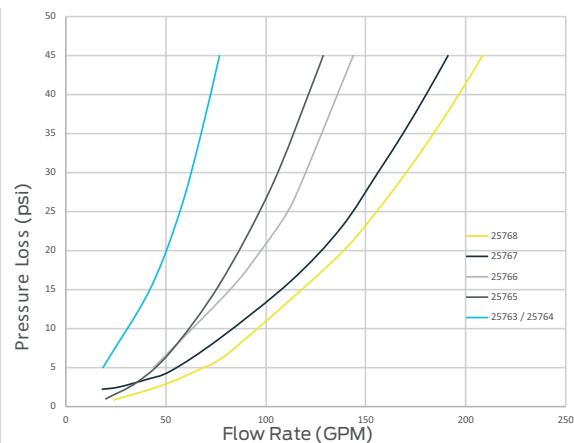


Refer to local plumbing code

US 1 877 700 4242 | sales@cashacme.com | cashacme.com
Canada 1 888 820 0120 | canadales@rwc.com | cashacme.ca

This information is proprietary to RWC and is subject to change without notice. It may not be reproduced in part or whole without written authorization.

Flow Curve



Product Submittal

Name	
Date	
Architect/Owner	
Contractor	
Tag	
Notes	