

Cash Acme™ Tank Booster™ Thermostatic Mixing Valve

The Cash Acme Tank Booster combines a Thermostatic Mixing Valve (TMV), a Flexible Connector and a Water Heater Tee in one package, and when combined with elevated storage temperatures, can effectively double a household's hot water heater capacity while delivering hot water at safe temperatures in residential/commercial applications.

Approved Applications

Domestic and commercial hot water distribution. To control water temperature at the source of heat (hot water tank) or point-of-use (sinks, lavatories, or bath tubs).

Specification Data

Performance

Operating Temperature Range	90°F - 130°F (32°C - 55°C)
Factory Set Temperature Range	115°F-120°F (46°C-48.9°C)
Hot Supply Temperature Range	120°F-180°F (48.9°C-82.2°C)
Cold Supply Temperature Range	39°F-80°F (3.9°C-26.7°C)
Maximum Pressure	150 psi
Min. Flow Rate	1 GPM
Max. Flow Rate	12 GPM

Materials

Body	Lead-Free ¹ DZR Brass
Springs	Stainless Steel
Internal Cap	Brass
Piston	Engineered Polymer
Seals	EPDM
Mix Tube	Modified PPE

¹For all models, surfaces that are in contact with consumable water contain less than 0.25% lead by weight.

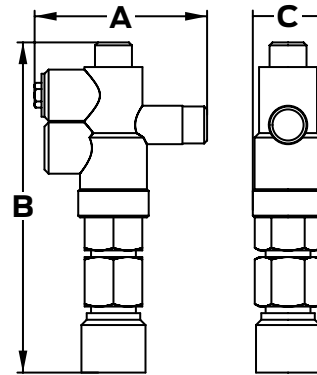
Certifications & Listings

ASSE 1017, ASSE 1070*, NSF/ANSI/CAN 61, ASSE 1069, CSA B125.3*, NSF/ANSI/CAN 372



Refer to local plumbing code

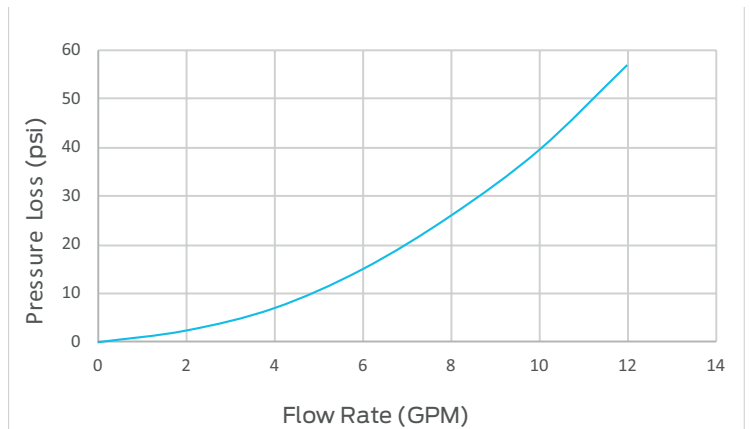
*Only applicable to Tank Booster™ Pro



Dimensions (inches)

Size	Model	Part #	A	B	C
3/4"	Retail	24409	3-19/32	4-45/64	1-21/32
3/4"	PRO	24643	3-1/2	6-45/64	1-21/32
3/4"	PRO	24644	3-1/2	6-45/64	2-5/64
3/4"	PRO	24639	3-1/2	6-45/64	1-21/32
3/4"	PRO	24832	3-1/2	6-45/64	1-21/32

Flow Curve



Product Submittal

Name	
Date	
Architect/Owner	
Contractor	
Tag	
Notes	

