

# Cash Acme™ Temperature Gauge Accessory

The Cash Acme Temperature Gauge Accessory is used to measure the mixed water outlet temperature from a Heatguard™ Thermostatic Mixing Valve.

## Approved Applications

Point-of-use and under-sink installations.

## Specification Data

### Performance

Operating Temperature Range	32°F - 210°F (0°C - 100°C)
Max. Pressure	230 psi
Max. Temperature	200°F (93°C)
Gauge Reading Accuracy	±6°F (±2.8°C)

### Materials

Body	Lead-Free <sup>1</sup> DZR Brass
Gauge Shell	Stainless Steel
Face Seal	EPDM
Captive Nut	Lead-Free DZR Brass

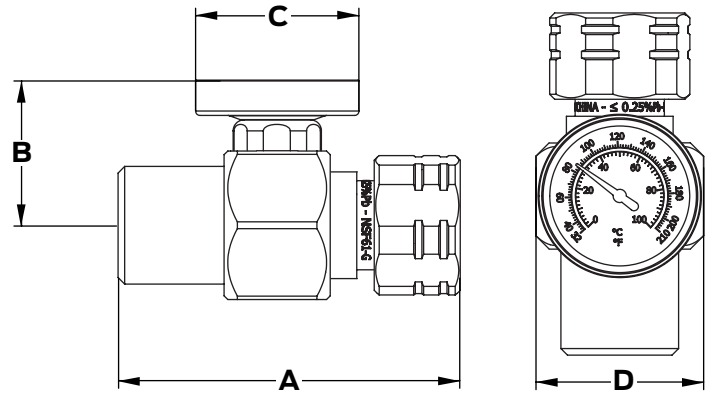
<sup>1</sup>For all models, surfaces that are in contact with consumable water contain less than 0.25% lead by weight.

## Certifications & Listings

NSF/ANSI/CAN 61, NSF/ANSI/CAN 372



Refer to local plumbing code



### Dimensions (inches)

Size	Connection Style	Part #	A	B	C	D
3/4"	NPSM Union X MNPT	25376	3	1-19/64	1-29/64	1-1/2
1"	BSP Union X Male BSP	24412	2-29/32	1-19/64	1-29/64	1-1/2

### Product Submittal

Name	
Date	
Architect/Owner	
Contractor	
Tag	
Notes	