

Cash Acme™

VB-222 Vacuum Breaker

The VB-222 vacuum breaker valve is designed to prevent dangerous back-siphonage and backflow into a potable water supply system. It automatically self-drains when all attachments are removed completely from the valve's outlet which protects the valve and faucet from freezing and rupturing in cold weather.

Approved Applications

For use around homes, schools, commercial buildings, laboratories or any application involving a removable hose attached to threaded faucets.

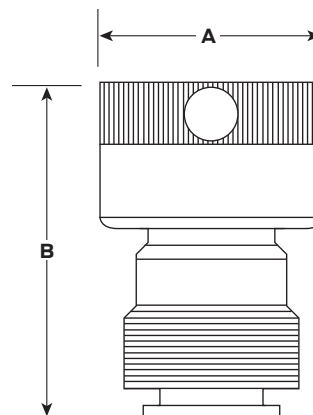
Specification Data

Performance

Maximum Temperature	180°F (82.2°C)
Maximum Pressure	125 psi
Service	Water

Materials

1	Body	Brass
2	Pusher Post	Acetal Copolymer
3	Spring	Stainless Steel
4	Seat Disc	Buna-N
5	O-ring	Buna-N



Dimensions (inches)

Size	Connection Style	Part #	Lead Free	Finish	A	B
3/4"	NH Threaded w/ Locking Screw	19600-0000LF	Y	Brass	5-3/32	2-7/16
3/4"	NH Threaded w/ Locking Screw	21896-0000LF	Y	Chrome	5-3/32	2-7/16
3/4"	NH Threaded w/ Locking Screw	19600-0000		Brass	5-3/32	2-7/16
3/4"	NH Threaded w/ Locking Screw	21896-0000		Chrome	5-3/32	2-7/16

Certifications & Listings

ASSE 1011, CSA B.64.1.1, NSF/ANSI/CAN 61, NSF/ANSI/CAN 372



Refer to local plumbing code

Product Submittal

Name	
Date	
Architect/Owner	
Contractor	
Tag	
Notes	