

Cash Acme® HG115 Thermostatic Mixing Valve

The HG115 is a high flow rate Temperature Actuated Mixing Valve that mixes hot water with cold to deliver tempered water at a controlled temperature.

Approved Applications

Large domestic and standard commercial water distribution systems, hydronic radiant heating systems in conjunction with a water heating source, and hot water systems at the water heater.

Specification Data

Performance

Adj. Outlet Temperature Range	85°F-176°F (29°C-80°C)
Factory Set Temperature	120°F (48.9°C)
Hot Supply Temperature Range	120°F-180°F (48.9°C-82.2°C)
Cold Supply Temperature Range	39°F-85°F (3.9°C-30°C)
Maximum Pressure	230 psi
Min. Flow Rate	2.5 GPM
Max. Flow Rate	27.2 GPM

Materials

Body	Lead-Free ¹ DZR Brass
Springs	Stainless Steel
Internal Cap	Lead-Free DZR Brass
Piston	Engineered Polymer
Seals	EPDM

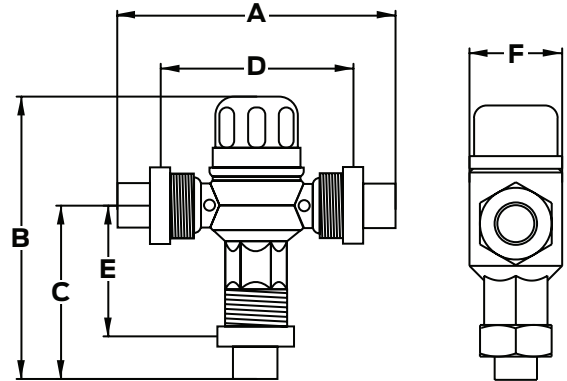
¹For all models, surfaces that are in contact with consumable water contain less than 0.25% lead by weight.

Certifications & Listings

ASSE 1017,
CSA B125.3,
NSF/ANSI/CAN 61, NSF/ANSI/CAN 372



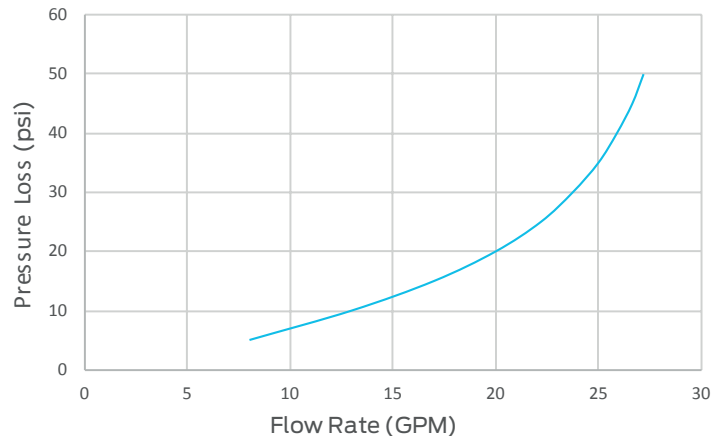
Refer to local plumbing code



Dimensions (Inches)

Size	Connection Style	Part#	A	B	C	D	E	F
3/4"	Sweat	24519	6-27/32	6-1/2	3-45/64	5-3/64	2-53/64	2-1/4
3/4"	Threaded NPT	24522	6-1/2	6-21/64	3-33/64	5-3/64	2-53/64	2-1/4
1"	Sweat	24520	7-23/32	6-15/16	4-1/8	5-3/64	2-53/64	2-1/4
1-1/4"	Sweat	24521	8-1/4	7-21/64	4-7/16	5-3/64	2-53/64	2-1/4

Flow Curve



Product Submittal

Name	
Date	
Architect/Owner	
Contractor	
Tag	
Notes	