



# Heatguard® 160 Series—Lead Free

## DESCRIPTION

The **Heatguard® 160** is a next generation Temperature Actuated Mixing Valve that mixes hot water with cold to deliver tempered water at a controlled temperature. The **Heatguard® 160** is designed to assist in prevention of scalding and thermal shock.

The **Heatguard® 160** is intended to control the water temperature to individual or multiple fixtures such as sinks, lavatories, or bath tubs to reduce the risk of scalding and thermal shock. It can also be installed in gang shower applications where the bather has no access to the temperature adjustment means.

The **Heatguard® 160** is a high specification product incorporating the latest in Thermostatic Technology. It features a robust design based on the expertise gained from years of experience in the design and manufacture of safety valves. Every valve is tested for performance on an automated testing station during the assembly process. The valve is third party listed for individual point-of-use applications.

The **Heatguard® 160** features a rapid response thermostatic element for superior control. The thermostatic element senses the outlet water temperature and reacts to maintain a constant delivery temperature even under changing flows or variations in supply temperatures or pressures. The valve also reduces the outlet flow to a trickle in the event of a cold water supply failure.

The **Heatguard® 160** features a snap-on cover over a spindle mechanism that requires a special tool to adjust the temperature. This special tool is provided with each valve.

The **Heatguard® 160** is shipped complete as a kit with your choice of end connections in 1/2" & 3/4" sizes. Available end connections are sweat, CPVC, PEX, threaded and SharkBite®. All valves are supplied standard with check valves.



**HEATGUARD®**  
THERMOSTATIC MIXING VALVES

## FEATURES AND BENEFITS

Every valve is tested for performance prior to shipping:  
*Specify and install with confidence!*

Accurate temperature control, even under varying supply conditions:  
*Increased user comfort and convenience.*

Robust, low complexity construction:  
*Superior reliability, improved user safety.*

Total flow shut-off if cold supply fails:  
*Greater end user safety.*

Unique, purpose designed adjuster tool:  
*Minimizes unauthorized tampering with valve setting.*

Listed by ASSE, CSA, and IAPMO:  
*Inspector friendly, peace of mind!*

## SPECIFICATIONS

A Temperature Actuated Mixing Valve shall be installed to individual fixtures such as sinks, lavatories, or bath tubs; or multiple fixtures such as gang shower applications where the bather has no access to the temperature adjustment means; to reduce the risk of scalding and thermal shock. The valve shall be certified to ASSE 1069, ASSE 1070 and CSA B 125.3 standards and shall be listed by a third party. The temperature actuated mixing valve shall control the delivered water temperature via a regulating piston made from engineered polymer. A special tool shall be required to adjust the outlet temperature and the adjusting mechanism shall be hidden by a snap-on-cover. The valve shall be a Cash Acme **Heatguard® 160 LF**.

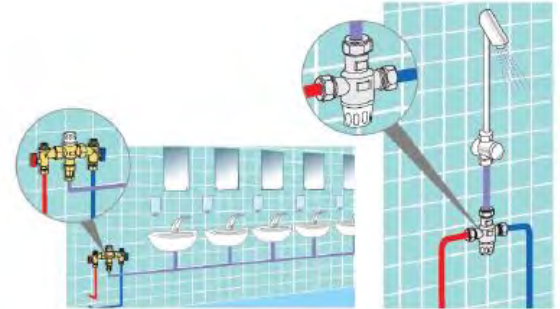
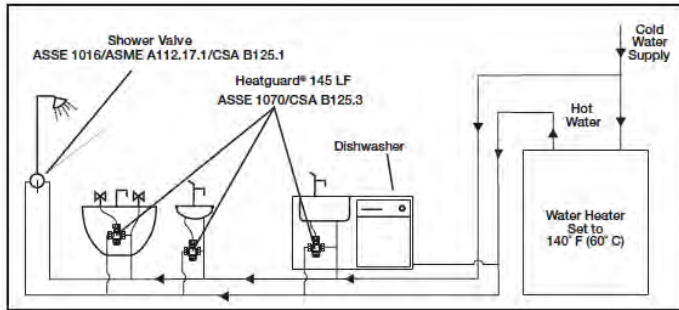




# Heatguard® 160 Series—Lead Free

## TYPICAL INSTALLATION

The **Heatguard® 160** is a high performance Thermostatic Mixing Valve designed to control the water temperature to individual or multiple fixtures such as sinks, lavatories, or bath tubs to reduce the risk of scalding and thermal shock. It can also be installed in gang shower applications where the bather has no access to the temperature adjustment means.



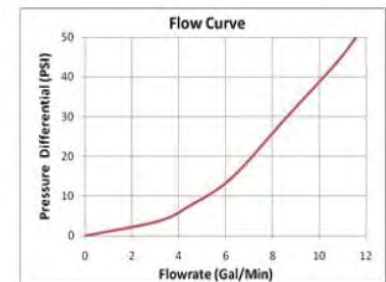
## SPECIFICATION DATA

### Performance:

Adj. outlet temperature range	95 – 120°F (35 – 48.9°C)
Factory set temperature range	115 – 120°F (46.1 – 48.9°C)
Temp. hot supply	120 – 180°F (48.9 – 82.2°C)
Temp. cold supply	39 – 80°F (3.9 – 26.7°C)
Maximum pressure	145 psi (1000 kPa)
Flow rate, minimum	0.34 gpm (1.3 l/min)
Flow rate, maximum	11 gpm (42 l/min)

### Materials:

Body	DZR Brass
Seals	EPDM
Springs	Stainless Steel
Internal cap	Brass
Piston	Engineered Polymer

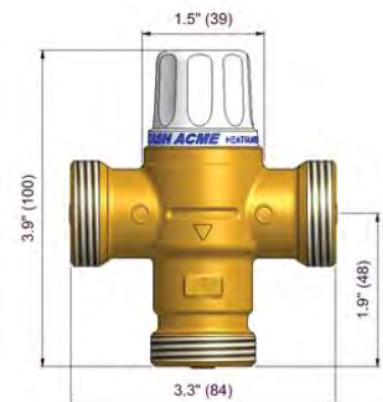


## AVAILABLE CONNECTIONS

Sweat	1/2"
Barb (PEX)	1/2" and 3/4"
Threaded (NPT)	1/2"
CPVC	1/2" and 3/4"
SharkBite	1/2" and 3/4"

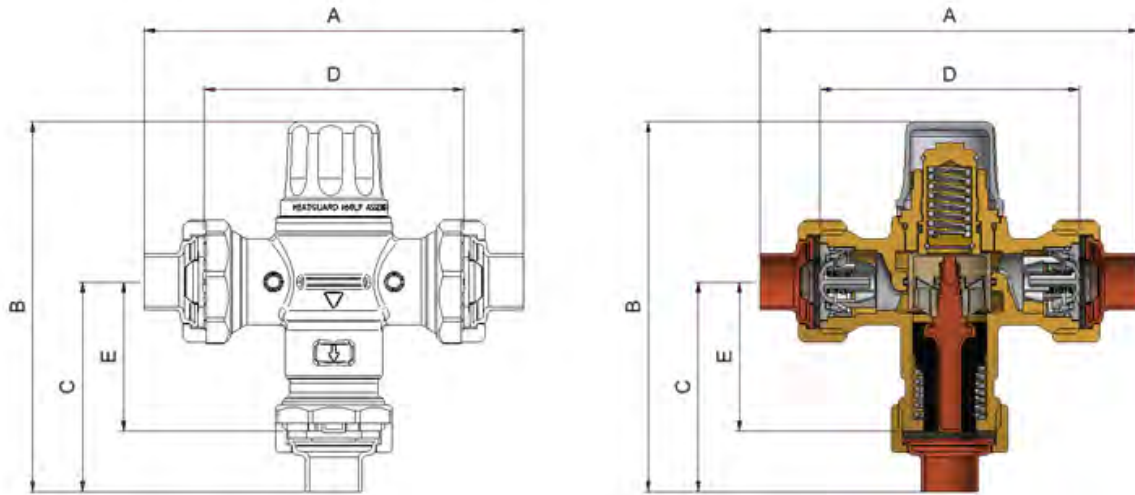
## CERTIFICATIONS

The Cash Acme **Heatguard® 160 LF** is certified to ASSE 1017, ASSE 1069, ASSE 1070, CSA B125.3, NSF/ANSI 372, NSF/ANSI/CAN 61, and listed by ASSE, CSA, and IAPMO for use in accordance with U.S. and Canadian plumbing codes.





# Heatguard® 160 Series—Lead Free



Type	Size	Description	Part	A		B		C		D		E	
				in	mm	in	mm	in	mm	in	mm	in	mm
Heatguard® 160	½"	Sweat	24528	4.84	122.92	4.72	119.79	2.67	67.89	3.31	84.00	1.91	48.39
	½"	Sharkbite	24529	6.12	155.56	5.36	136.07	3.31	84.17				
	¾"	Sharkbite	24530	6.47	164.30	5.53	140.44	3.49	88.54				
	½"	Barb (PEX)	24531	5.29	134.30	4.94	125.48	2.90	73.58				
	¾"	Barb (PEX)	24532	5.29	134.30	4.94	125.48	2.90	73.58				
	½"	CPVC	24533	6.92	175.72	5.76	146.19	3.71	94.29				
	¾"	CPVC	24534	6.63	175.92	5.76	146.29	3.72	94.39				
½"	Threaded NPT	24536	5.68	144.32	5.14	130.49	3.09	78.59					

