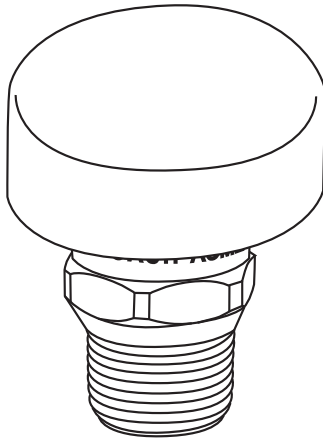


Product Submittal

Name	
Date	
Architect/Owner	
Contractor	
Tag	
Notes	



VR20 Vacuum Breaker Specification Drawing



The Cash Acme® VR20 Vacuum Relief Valve is designed to protect hot water supply systems and pressure vessels against negative pressure. It is especially well suited for many domestic and commercial systems. It works by preventing internal vacuum conditions that could result in burned-out heaters and/or collapsed storage tanks – especially copper.

Performance:

Service	Water
Relief pressure (open)	1" Hg vacuum
Internal Parts	13 SCFM (@ 2" Hg)
Maximum pressure	210 psi
Maximum inlet pressure	200 PSI

Materials

Body	Lead-Free ¹ DZR Brass
Cap	Lead-Free ¹ DZR Brass
Spring	Stainless steel
Seat Disc	Silicone
Dust Cover	Polypropylene
Guide Rod	Brass
Washer	Brass
Seat Shell	Lead-Free ¹ DZR Brass
O-ring	Buna-N

¹For all models, surfaces that are in contact with consumable water contain less than 0.25% lead by weight.

Codes & Standards

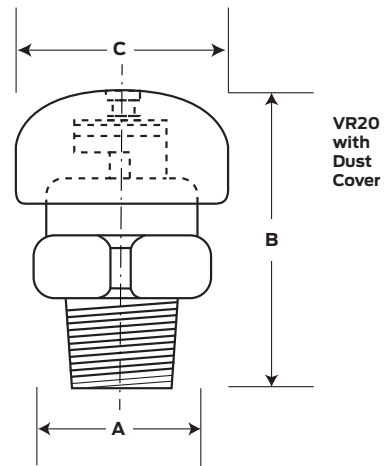
ANSI Z21.22/CSA 4.4. Listed by CSA.A.

Available Connections

Threaded (NH) 1/2" & 3/4"

Dimensions (inches)

Part Number	A	B	c
22397LF	1.38	2.45	1.75
22398LF	1.38	2.45	1.75



Typical Installation

