

| Product Submittal | |
|-------------------|--|
| Name | |
| Date | |
| Architect/Owner | |
| Contractor | |
| Tag | |
| Notes | |

Mechanical Mixing Valve Specification Sheet

Description

The MBV001 is a mechanical mixing valve designed for use with single faucets. The stainless steel lever adjusts the amount of incoming hot and cold water.

Features And Benefits

Designed to install under the lavatory:

- Quick and Easy Service/Repair.

Integral Check Valves:

- In-line check valves equipped at both hot and cold inlets.

Brass Construction with a grit blasted, chrome plated finish:

- Stainless steel adjustment lever.

Locking Mechanism:

- Prevents unwanted adjustments.

Specification

A mechanical mixing valve that delivers water to a set hot and cold mix ratio, outlet temperature adjustable by manual lever.

WARNING: This is hot and cold mechanical mixing valve only. The Cash Acme mechanical mixing valve is NOT a temperature limiting device and does not provide automatic control of the water temperature.

Specification Data

Performance:

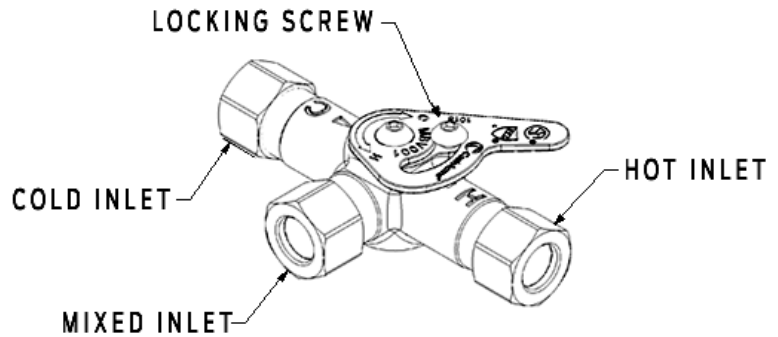
| | |
|----------------------------|---------------|
| Maximum supply pressure | 125 psi |
| Maximum supply temperature | 180°F (93°C) |
| Service | Potable Water |

Materials:

| | |
|------------------|-----------------|
| Body | Lead Free Brass |
| Adjustment Lever | Stainless Steel |

Available Connections

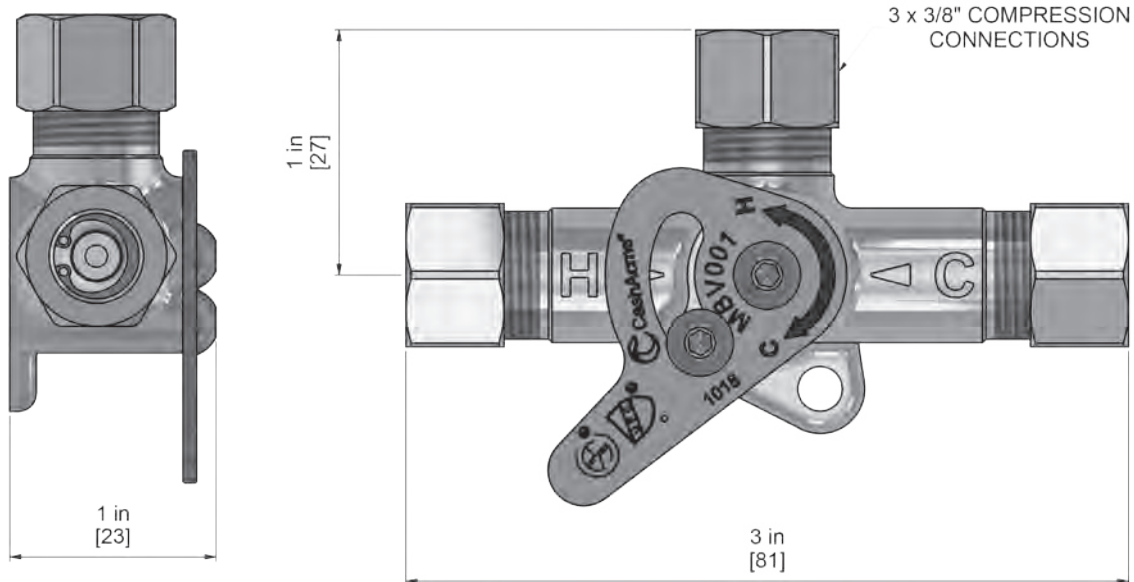
| Model | Part # | Size & Connection |
|--------|--------|-------------------|
| MBV001 | 25903 | 3/8" Compression |



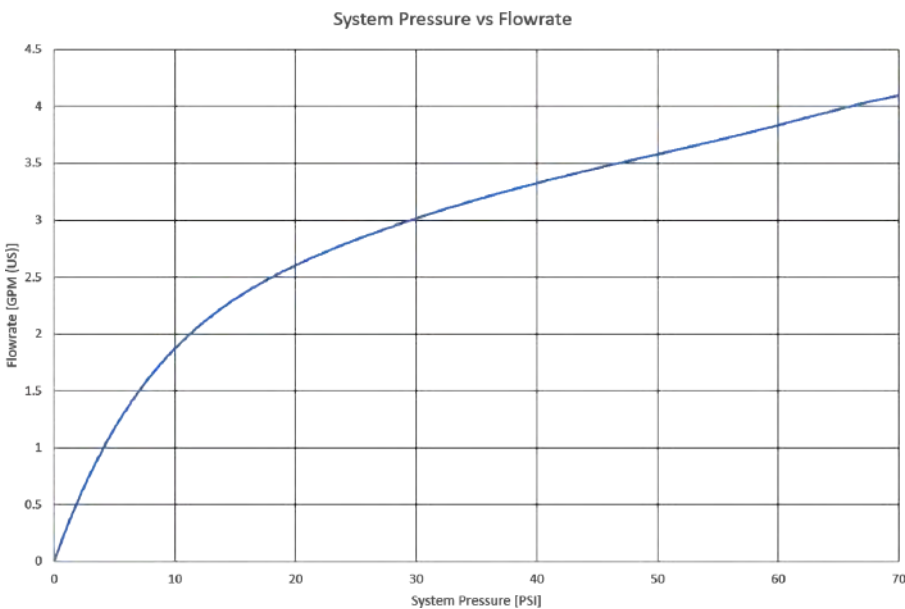
Codes & Standards

The Mechanical Mixing Valve is NSF/ANSI/CAN 61 and NSF/ANSI 372 approved and meets ASME 112.18.1/CSA B125.1. And listed with IAPMO.

Dimensions



Flow Capacity



*For all models, surfaces that are in contact with consumable water contain less than 0.25% lead by weight.