

Product Submittal	
Name	
Date	
Architect/Owner	
Contractor	
Tag	
Notes	

## MasterGuard 600 Series Specification Sheet

### Description

The MasterGuard Series is a High Flow Temperature Actuated Mixing Valve that mixes hot water with cold to deliver tempered water at a controlled temperature up to 150°F (66°C) maximum.

The MasterGuard is shipped complete as a kit with service fittings (integral shut-off valve and gauge port) on each inlet. The check valve and strainer assembly are housed in the body of the valve for easy serviceability. The valve comes with a temperature gauge that could be mounted either on the mixed outlet or the two inlets. The service fittings have a female inlet thread that secure to the base through union connections. The mix water outlet is female NPT. The MasterGuard series is available in sizes from ¾" to 2".



### Features And Benefits

Accurate temperature control, even at very low flows:

- Faster to commission, greater user comfort and safety.

Fast reaction to changes in flow rate or supply temperature:

- Constant outlet temperature for greater comfort.

Robust, low complexity construction:

- Superior reliability, improved user safety.

Listed by IAPMO, CSA, and ASSE:

- Inspector friendly, peace of mind.

Temperature Adjustment Knob:

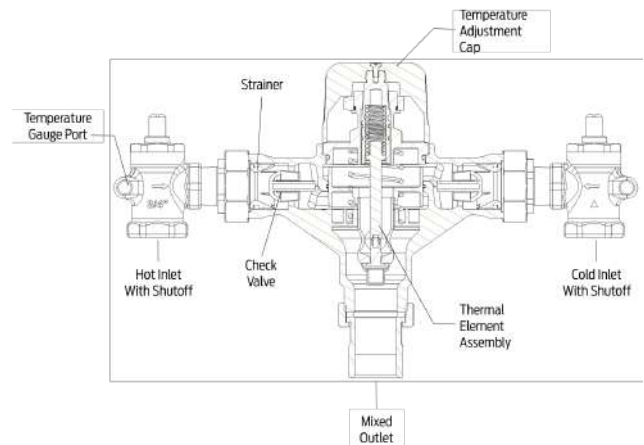
- Can be locked at a desired temperature

Quality Assurance:

- Every valve is tested for performance

### Specification

A Temperature Actuated Mixing Valve shall be installed at hot water source to distribute tempered water throughout the domestic hot water system with mixed temperature setting as required by the local plumbing codes. The valve shall have a thermostatic control mechanism based on the expanding wax principle. The valve shall be certified to ASSE 1017, CSA B 125.3, NSF/ANSI 372 and NSF/ANSI/CAN 61 standards and shall be listed by a third party. The valve shall be complete with integral shut-off valve isolators, strainers, check valves and gauge ports on each inlet. The valve shall be a Cash Acme MasterGuard 600 Series.



## Specification Data

### Performance:

Outlet temperature range	85 – 150°F (29.4 – 66°C)
Factory set temp. range	116.5°F ± 3.5°F (47°C ± 2°C)
Hot temp. supply range	120 – 180°F (48.9 – 82.2°C)
Cold temp. supply range	39 – 80°F (3.9 – 26.7°C)
Maximum pressure	125 psi (862 kPa)
Min. temp differential	25°F (47°C)

### Materials:

Body	Lead-Free Brass
Seals	EPDM
Springs	Stainless Steel
Internal	cap Brass
Piston PTFE	Coated Stainless Steel

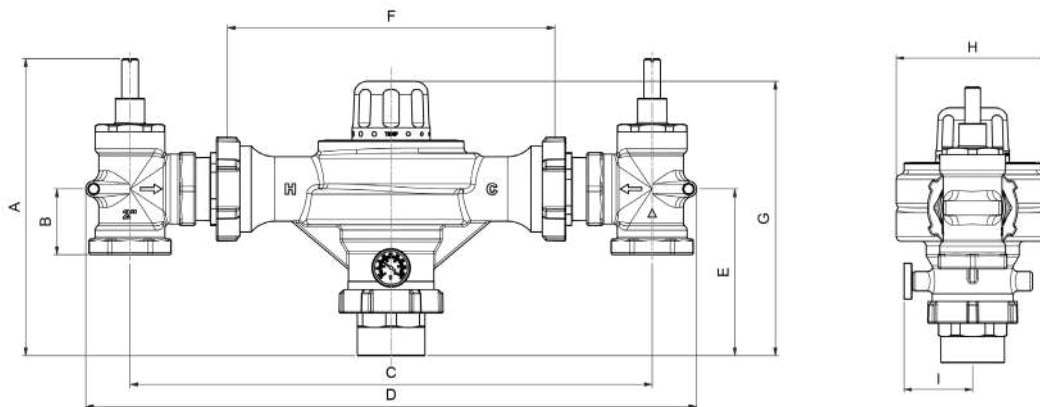
## Available Connections

Model	Part #	Inlet (NPT) x Outlet (NPT)
MasterGuard 630	25763	3/4" x 1"
MasterGuard 640	25764	1" x 1-1/4"
MasterGuard 650	25765	1-1/4 x 1-1/2"
MasterGuard 660	25766	1-1/2" x 1-1/2"
MasterGuard 670	25767	1-1/2" x 2"
MasterGuard 680	25768	2" x 2"

## Codes & Standards

The Cash Acme MasterGuard is certified to ASSE 1017, CSA B125.3, and listed by IAPMO, CSA, and ASSE for use in accordance with U.S and Canadian plumbing codes. The valves are certified to NSF/ANSI/CAN 61 and NSF/ANSI 372.

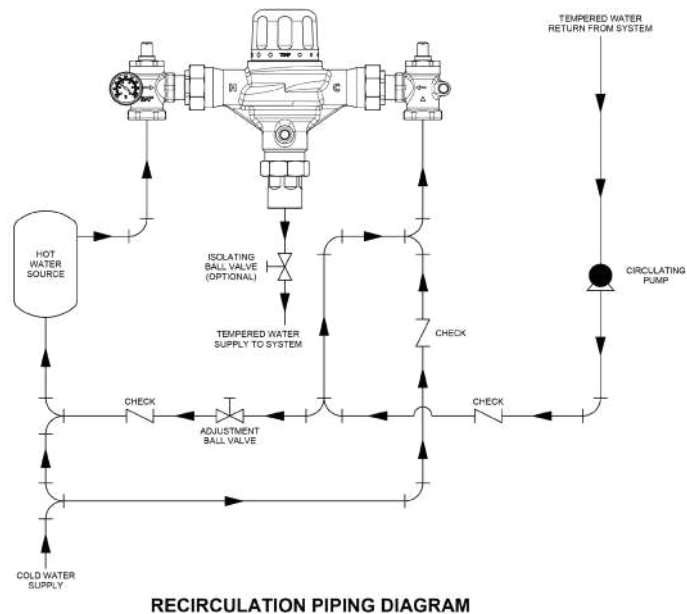
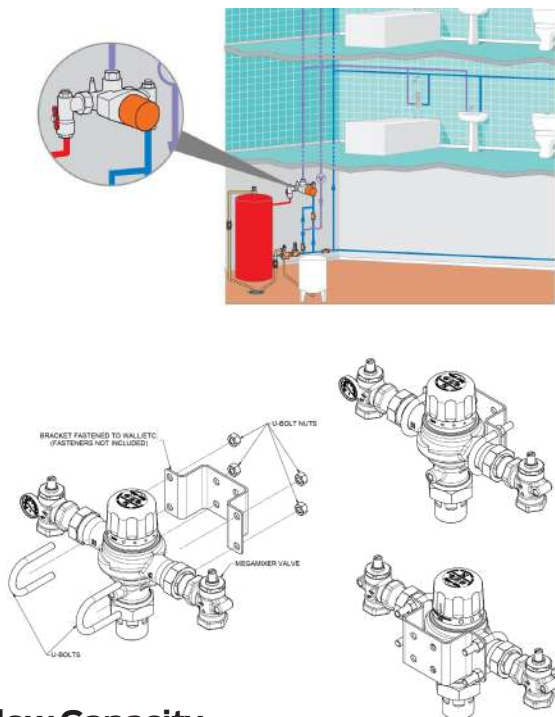
## Dimensions



MODEL	INLET	OULET	FLOW AT 45 PSI (GPM)	MINIMUM FLOW RATE (GPM)	DIMENSIONS (approximate)												WEIGHT							
					A		B		C		D		E		F		G		H		I		lb	kg
Mixer 630	3/4"	1"	64	5	7.3	186	1.4	36	12.1	307	14.5	368	5.2	132	7.6	193	9.0	229	3.6	92	2.0	51	10.3	4.7
Mixer 640	1"	1-1/4"	64	5	7.5	190	1.5	38	13.0	330	15.4	391	5.4	136	7.6	193	9.2	233	3.6	92	2.0	51	11.1	5.0
Mixer 650	1-1/4"	1-1/2"	129	6	9.8	250	1.8	46	14.7	373	17.5	445	6.3	161	8.7	221	10.6	268	4.5	113	2.3	58	21.2	9.6
Mixer 660	1-1/2"	1-1/2"	144	6	9.8	250	2.1	53	15.9	404	18.7	475	6.3	161	8.7	221	10.6	268	4.5	113	2.3	58	22.1	10.0
Mixer 670	1-1/2"	2"	191	10	9.9	251	2.1	53	19.1	485	21.9	556	6.4	162	12.2	310	10.8	274	6.1	156	2.8	71	30.4	13.8
Mixer 680	2"	2"	208	10	11	284	2.5	64	19.8	503	23.1	587	6.3	160	12.2	310	10.8	274	6.1	156	2.8	71	34.6	15.7

## Typical Installation

The MasterGuards are central mixers intended for installation in the plant room of commercial and industrial facilities to distribute controlled temperature water to the domestic hot water system of a whole building or a section of the building. The MasterGuard incorporates a fast acting, high quality thermostatic element that senses the outlet water temperature and reacts to maintain a stable delivery temperature even under changing flows or variations in supply temperatures. The valve also greatly reduces the outlet flow in the event of a cold water supply failure.



## Flow Capacity

