

Product Submittal	
Name	
Date	
Architect/Owner	
Contractor	
Tag	
Notes	

# Mechanical Mixing Valve Specification Sheet

## Description

The MBV001 is a mechanical mixing valve designed for use with single faucets. The stainless steel lever adjusts the amount of incoming hot and cold water.

## Features And Benefits

Designed to install under the lavatory:

- Quick and Easy Service/Repair.
  - Brass Construction with a grit blasted, chrome plated finish:
  - Stainless steel adjustment lever.
- Locking Mechanism:
- Prevents unwanted adjustments.

## Specification

A mechanical mixing valve that delivers water to a set hot and cold mix ratio, outlet temperature adjustable by manual lever.

**WARNING:** This is hot and cold mechanical mixing valve only. The Cash Acme mechanical mixing valve is NOT a temperature limiting device and does not provide automatic control of the water temperature.

## Specification Data

### Performance:

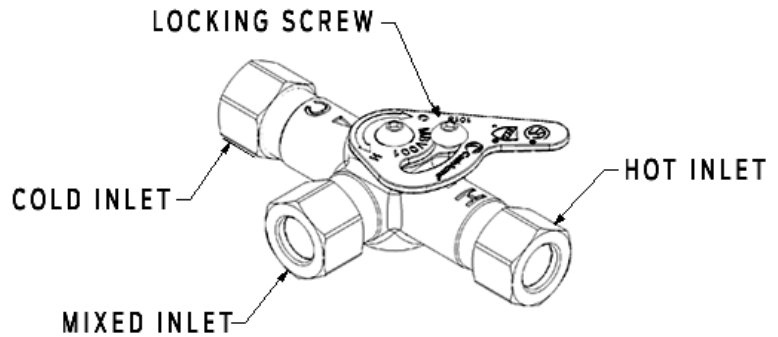
Maximum supply pressure	125 psi
Maximum supply temperature	180°F (93°C)
Service	Potable Water

### Materials:

Body	Lead Free Brass
Adjustment Lever	Stainless Steel

## Available Connections

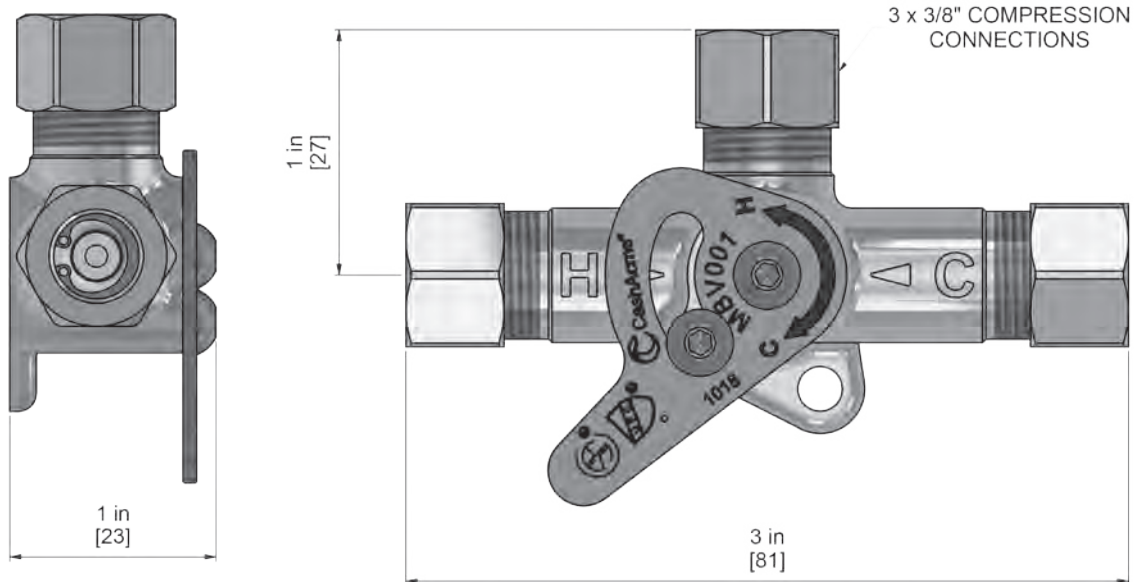
Model	Part #	Size & Connection
MBV001	25903	3/8" Compression



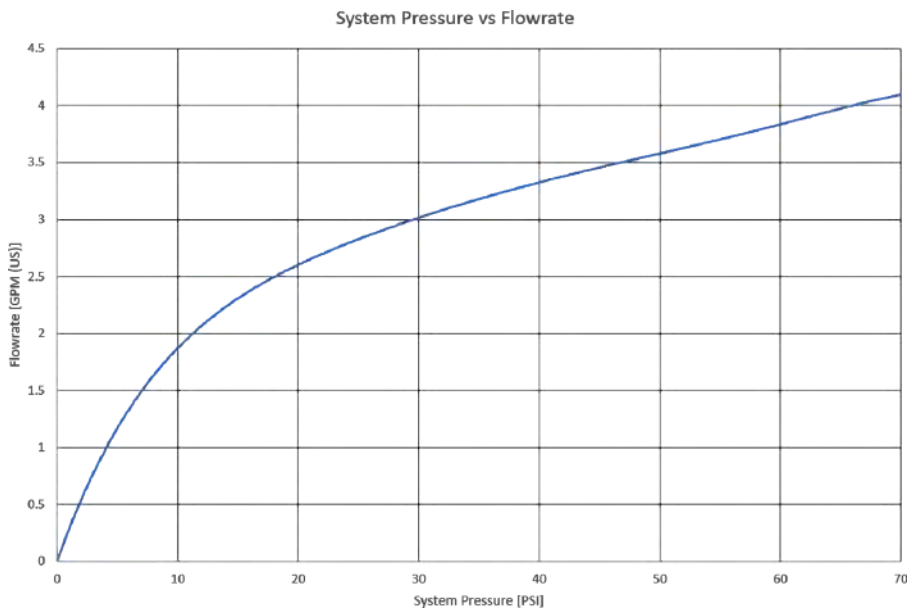
## Codes & Standards

The Mechanical Mixing Valve is NSF/ANSI/CAN 61 and NSF/ANSI 372 approved and meets ASME 112.18.1/CSA B125.1. And listed with IAPMO.

## Dimensions



## Flow Capacity



\*For all models, surfaces that are in contact with consumable water contain less than 0.25% lead by weight.